



McGuire Manufacturing Co., Inc.

60 Grandview Court
Cheshire, Connecticut 06410
(203) 699-1801 Fax (203) 699-1813
customerservice@mcguiremfg.com mcguiremfg.com

PRODUCT SPECIFICATION

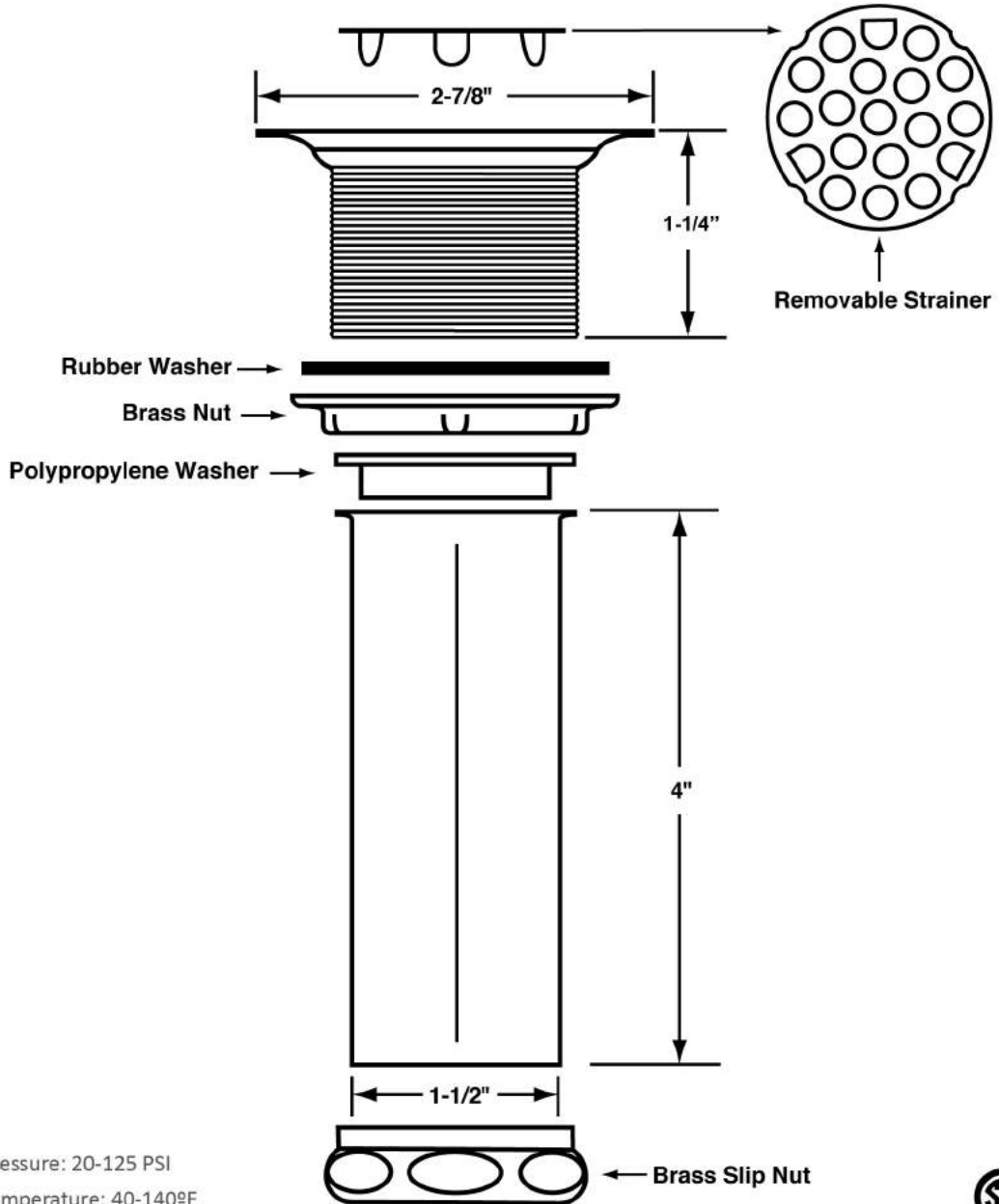
Part No.

149

Flat Grid Sink Strainer

Job Name:

Submittal Number:



- Rated Operating Pressure: 20-125 PSI
- Rated Operating Temperature: 40-140°F
- Note: 180°F max. during temporary high-temperature system flush

See options and accessories section for details on product variations.



ASME A112.18.2 / CSA B125.2

Specifications:

Wrought brass chrome plated flat grid sink strainer with 1-1/2" x 4" seamless brass tailpiece, cast brass lock and coupling nuts. Fits sink thickness up to 5/8".



WARNING:

This product can expose you to chemicals including lead, which is known to the State of California to cause cancer, and birth defects or other reproductive harm. For more information go to www.P65Warnings.ca.gov.



McGuire Manufacturing Co., Inc.

60 Grandview Court

Cheshire, CT 06410

203-699-1801 • Fax: 203-699-1813

www.mcguiremfg.com

PRODUCT SPECIFICATION

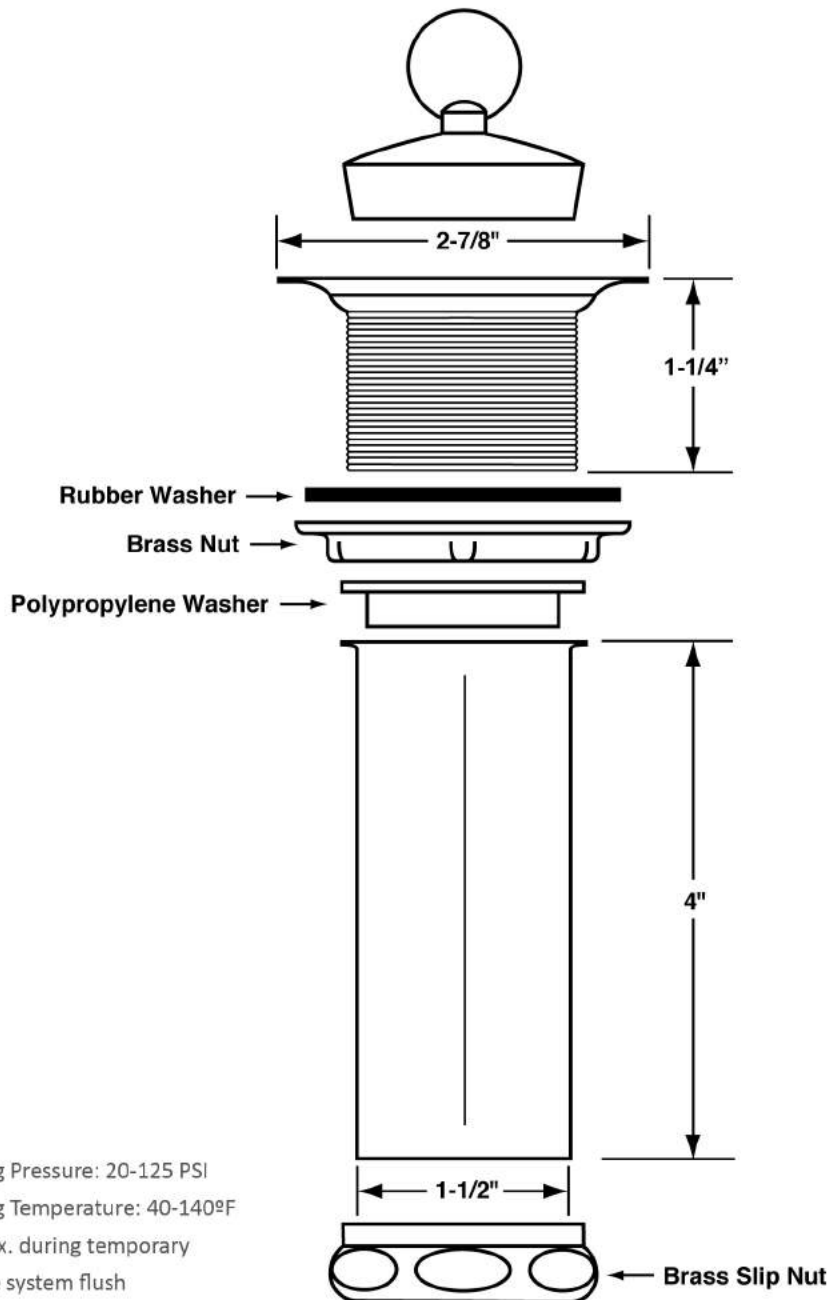
Part No.

150

Tray Plug

Job Name:

Submittal Number:



- Rated Operating Pressure: 20-125 PSI
- Rated Operating Temperature: 40-140°F
- Note: 180°F max. during temporary high-temperature system flush

See options and accessories section for details on product variations.

Specifications:

Wrought brass chrome plated tray plug with 1-1/2" x 4" seamless brass tailpiece, cast brass lock and coupling nut. Fits sink thickness up to 5/8".



WARNING:

This product can expose you to chemicals including lead, which is known to the State of California to cause cancer, and birth defects or other reproductive harm. For more information go to www.P65Warnings.ca.gov.



McGuire Manufacturing Co., Inc.
60 Grandview Court
Cheshire, CT 06410
203-699-1801 • Fax: 203-699-1813
www.mcguiremfg.com

PRODUCT SPECIFICATION

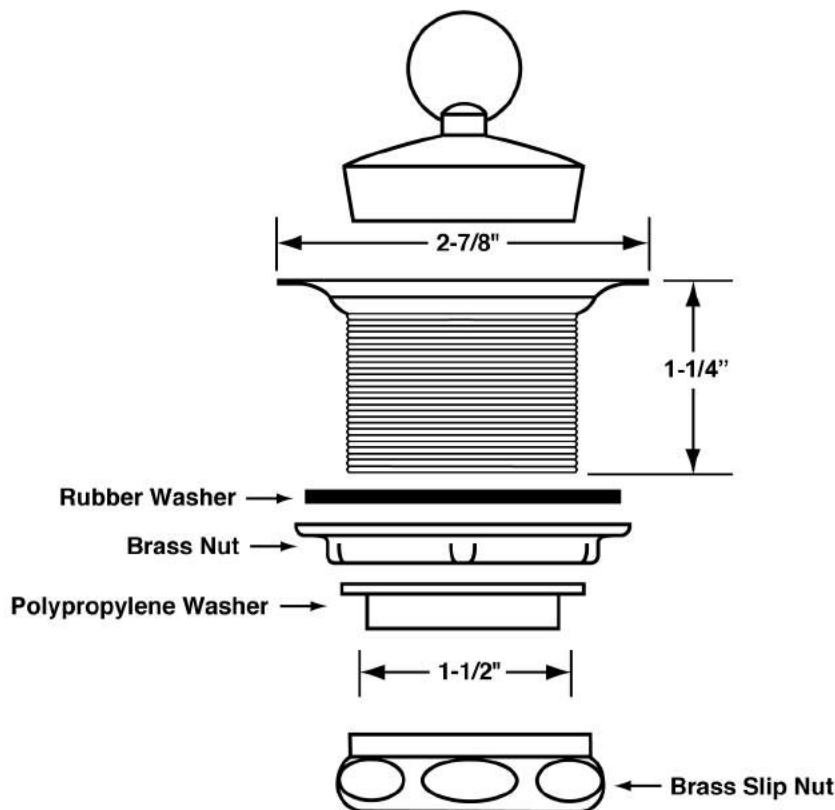
Part No.

150

Tray Plug

Job Name:

Submittal Number:



- Rated Operating Temperature: 40-140°F
- Note: 180°F max. during temporary high-temperature system flush

See options and accessories section for details on product variations.

Specifications:

Wrought brass chrome plated tray plug 1-1/2" O.D. Fits sink thickness up to 5/8".



WARNING:

This product can expose you to chemicals including lead, which is known to the State of California to cause cancer, and birth defects or other reproductive harm. For more information go to www.P65Warnings.ca.gov.



McGuire Manufacturing Co., Inc.

60 Grandview Court
Cheshire, Connecticut 06410
(203) 699-1801 Fax (203) 699-1813
customerservice@mcguiremfg.com mcguiremfg.com

PRODUCT SPECIFICATION

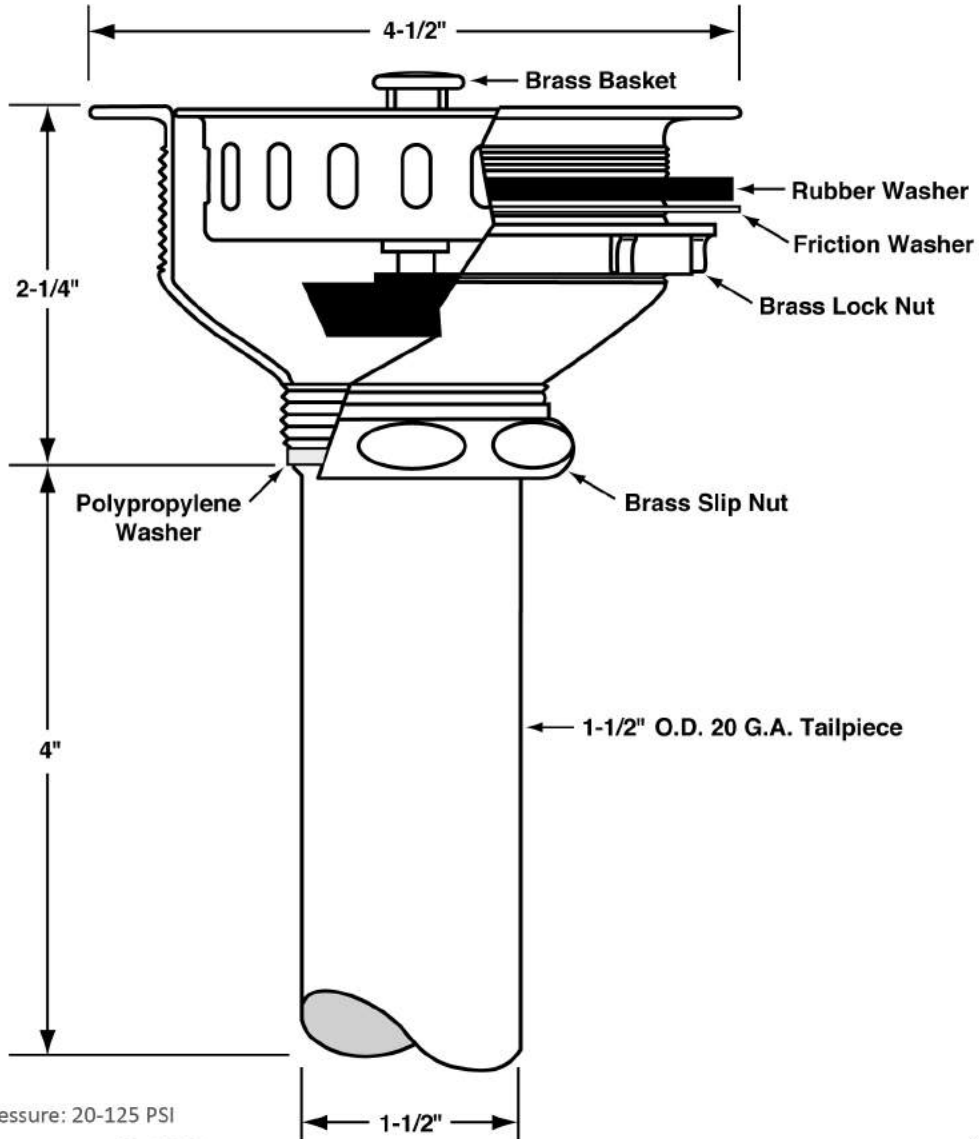
Part No.

151

Brass Basket Strainer

Job Name:

Submittal Number:



- Rated Operating Pressure: 20-125 PSI
- Rated Operating Temperature: 40-140°F
- Note: 180°F max. during temporary high-temperature system flush

See options and accessories section for details on product variations.



ASME A112.18.2/CSA B125.2

Specifications:

Heavy duty forged brass basket strainer with a polished and chrome plated brass strainer body, 1-1/2" x 4" seamless brass tailpiece, cast brass lock and coupling nuts. Fits sink thickness up to 5/8". Basket strainer in compliance with CSA or other recognized testing authority and bear both manufacturer and testing mark.



WARNING:

This product can expose you to chemicals including lead, which is known to the State of California to cause cancer, and birth defects or other reproductive harm. For more information go to www.P65Warnings.ca.gov.



McGuire Manufacturing Co., Inc.

60 Grandview Court
Cheshire, Connecticut 06410
(203) 699-1801 Fax (203) 699-1813
customerservice@mcguiremfg.com mcguiremfg.com

PRODUCT SPECIFICATION

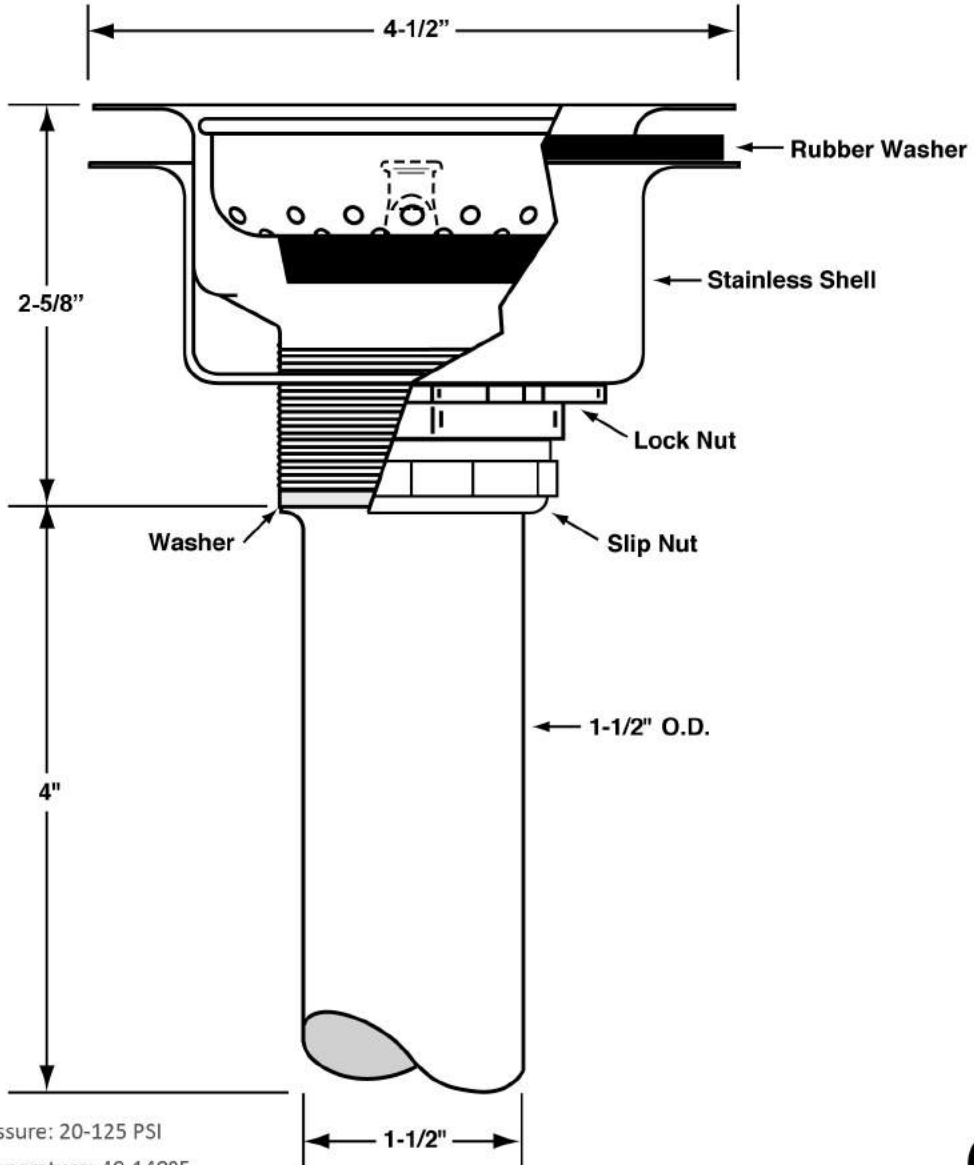
Part No.

151A

Stainless Steel
Basket Strainer

Job Name:

Submittal Number:



- Rated Operating Pressure: 20-125 PSI
- Rated Operating Temperature: 40-140°F
- Note: 180°F max. during temporary high-temperature system flush

See options and accessories section for details on product variations.



ASME A112.18.2/CSA B125.2

Specifications:

Heavy Duty Forged Stainless Steel Basket Strainer with 1-1/2" x 4" seamless brass tailpiece, die cast slip and lock nuts. Basket Strainer shall be in compliance with CSA or other recognized testing authority and bear both manufacturer and testing mark.



WARNING:

This product can expose you to chemicals including lead, which is known to the State of California to cause cancer, and birth defects or other reproductive harm. For more information go to www.P65Warnings.ca.gov.



McGuire Manufacturing Co., Inc.

60 Grandview Court
Cheshire, Connecticut 06410
(203) 699-1801 Fax (203) 699-1813
customerservice@mcguiremfg.com mcguiremfg.com

PRODUCT SPECIFICATION

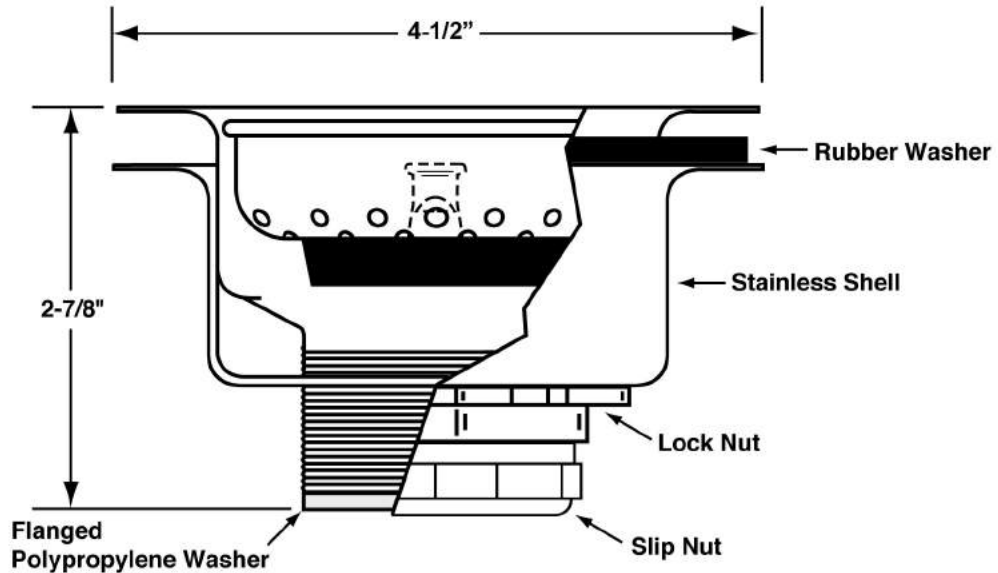
Part No.

151AECO

**Stainless Steel
Basket Strainer**

Job Name:

Submittal Number:



ASME A112.18.2/CSA B125.2

Specifications:

Heavy Duty Forged Stainless Steel Basket Strainer with metal stem, lock and coupling nuts.



This product can expose you to chemicals including lead, which is known to the State of California to cause cancer, and birth defects or other reproductive harm. For more information go to www.P65Warnings.ca.gov.



McGuire Manufacturing Co., Inc.

60 Grandview Court
Cheshire, Connecticut 06410
(203) 699-1801 Fax (203) 699-1813
customerservice@mcguiremfg.com mcguiremfg.com

PRODUCT SPECIFICATION

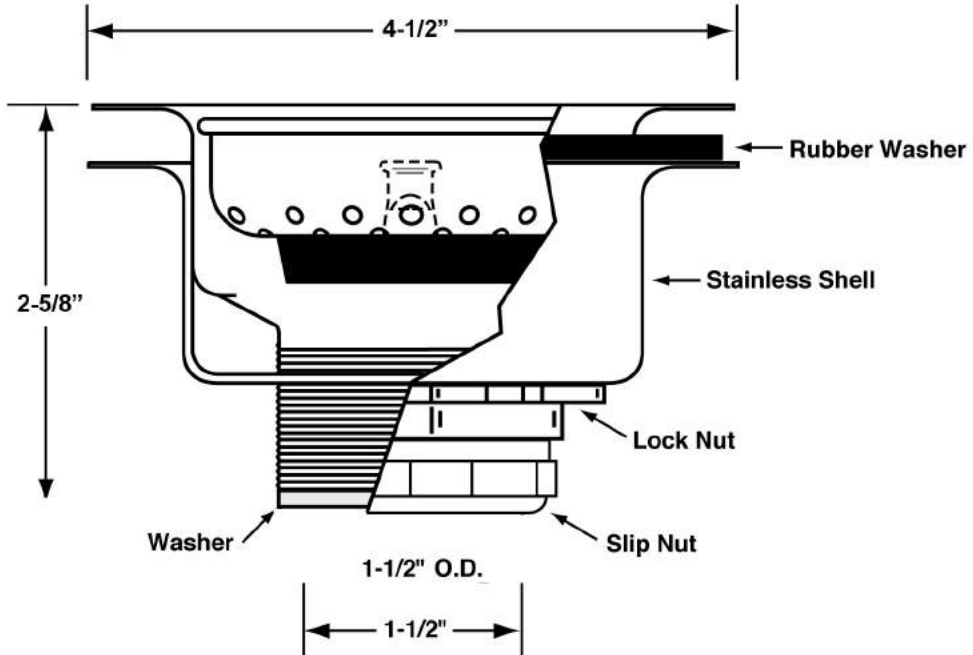
Part No.

151ALT

**Stainless Steel
Basket Strainer**

Job Name:

Submittal Number:



- Rated Operating Temperature: 40-140°F
- Note: 180°F max. during temporary high-temperature system flush

See options and accessories section for details on product variations.



ASME A112.18.2/CSA B125.2

Specifications:

Heavy Duty Forged Stainless Steel Basket Strainer 1-1/2" O.D., die cast slip and lock nuts. No tailpiece. Basket Strainer shall be in compliance with CSA or other recognized testing authority and bear both manufacturer and testing mark.

WARNING:

This product can expose you to chemicals including lead, which is known to the State of California to cause cancer, and birth defects or other reproductive harm. For more information go to www.P65Warnings.ca.gov.



McGuire Manufacturing Co., Inc.

60 Grandview Court
Cheshire, Connecticut 06410
(203) 699-1801 Fax (203) 699-1813
customerservice@mcguiremfg.com mcguiremfg.com

PRODUCT SPECIFICATION

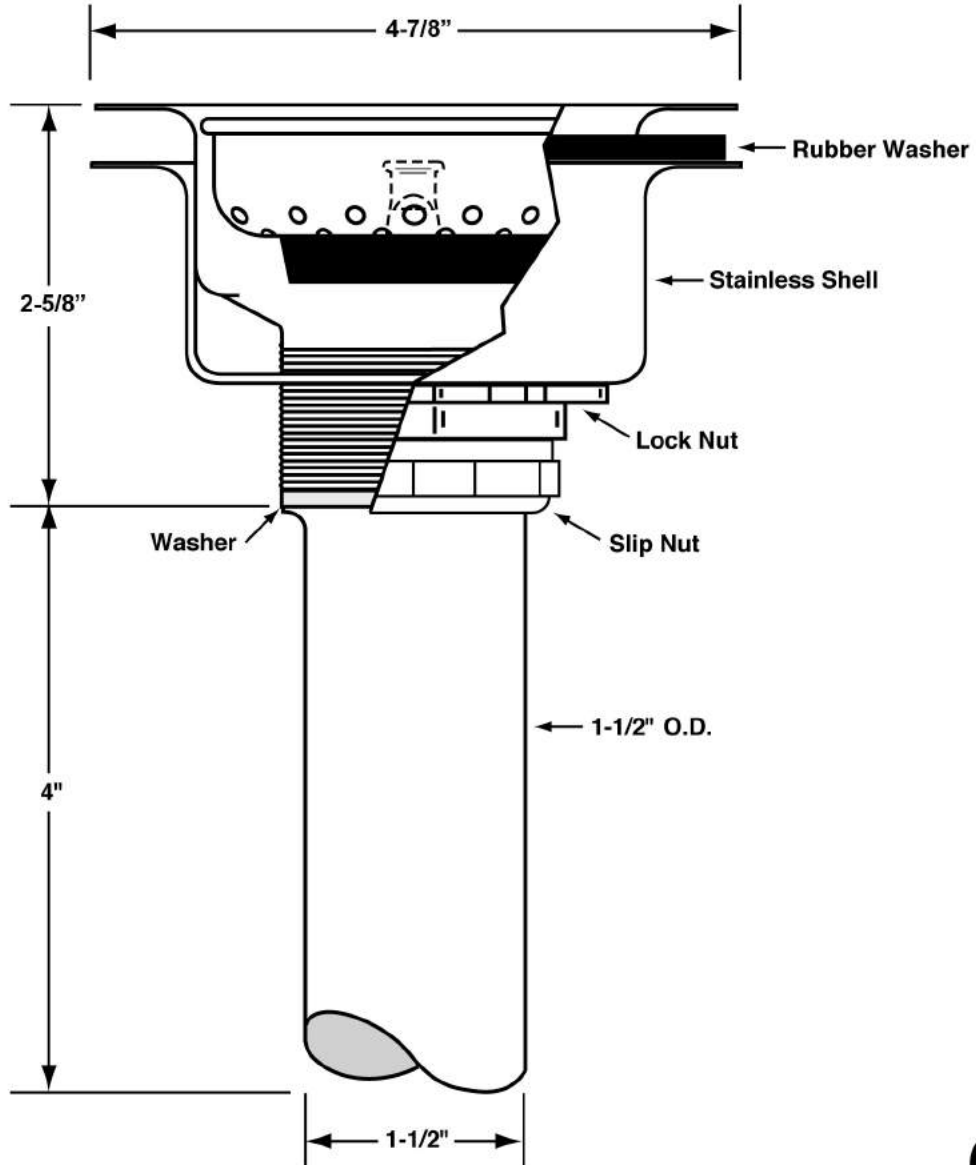
Part No.

151AM

Stainless Steel
Basket Strainer

Job Name:

Submittal Number:



ASME A112.18.2/CSA B125.2

See options and accessories section for details on product variations.

Specifications:

Heavy duty forged stainless steel basket strainer with stainless steel basket. Furnished with 1-1/2" by 4" 17 gauge tailpiece. Fits sink depth up to 1/2".



WARNING:

This product can expose you to chemicals including lead, which is known to the State of California to cause cancer, and birth defects or other reproductive harm. For more information go to www.P65Warnings.ca.gov.



McGuire Manufacturing Co., Inc.

60 Grandview Court
Cheshire, Connecticut 06410
(203) 699-1801 Fax (203) 699-1813
customerservice@mcguiremfg.com mcguiremfg.com

PRODUCT SPECIFICATION

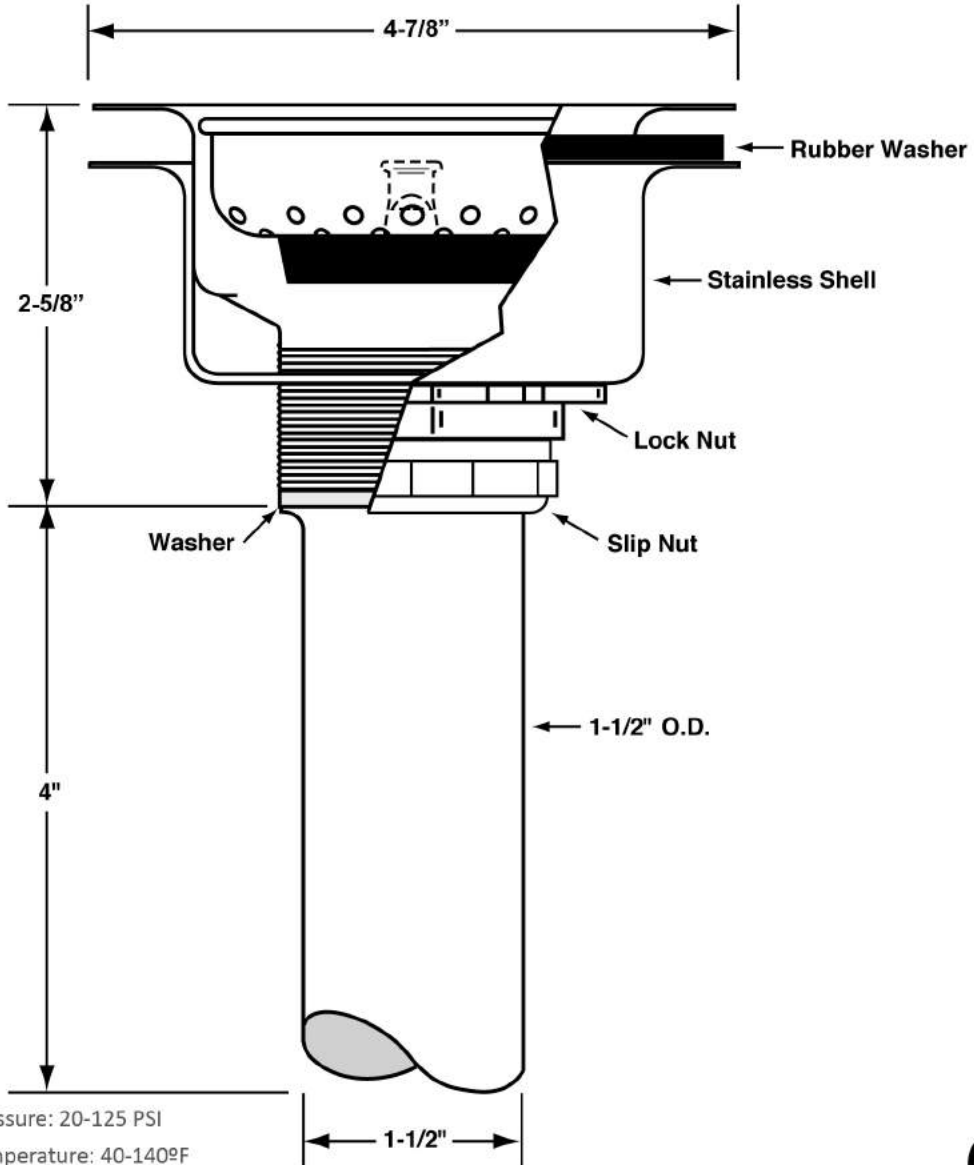
Part No.

151AN

**Stainless Steel
Basket Strainer**

Job Name:

Submittal Number:



- Rated Operating Pressure: 20-125 PSI
- Rated Operating Temperature: 40-140°F
- Note: 180°F max. during temporary high-temperature system flush

See options and accessories section for details on product variations.



ASME A112.18.2/CSA B125.2

Specifications:

Heavy duty forged stainless steel basket strainer with stainless steel basket. Furnished with 1 1/2" x 1 1/2" cast brass slip nut and 1 1/2" rough brass lock nuts. Basket strainer shall be in compliance with CSA and bear both manufacturer and testing mark.



WARNING:

This product can expose you to chemicals including lead, which is known to the State of California to cause cancer, and birth defects or other reproductive harm. For more information go to www.P65Warnings.ca.gov.



McGuire Manufacturing Co., Inc.

60 Grandview Court
Cheshire, Connecticut 06410
(203) 699-1801 Fax (203) 699-1813
customerservice@mcguiremfg.com mcguiremfg.com

PRODUCT SPECIFICATION

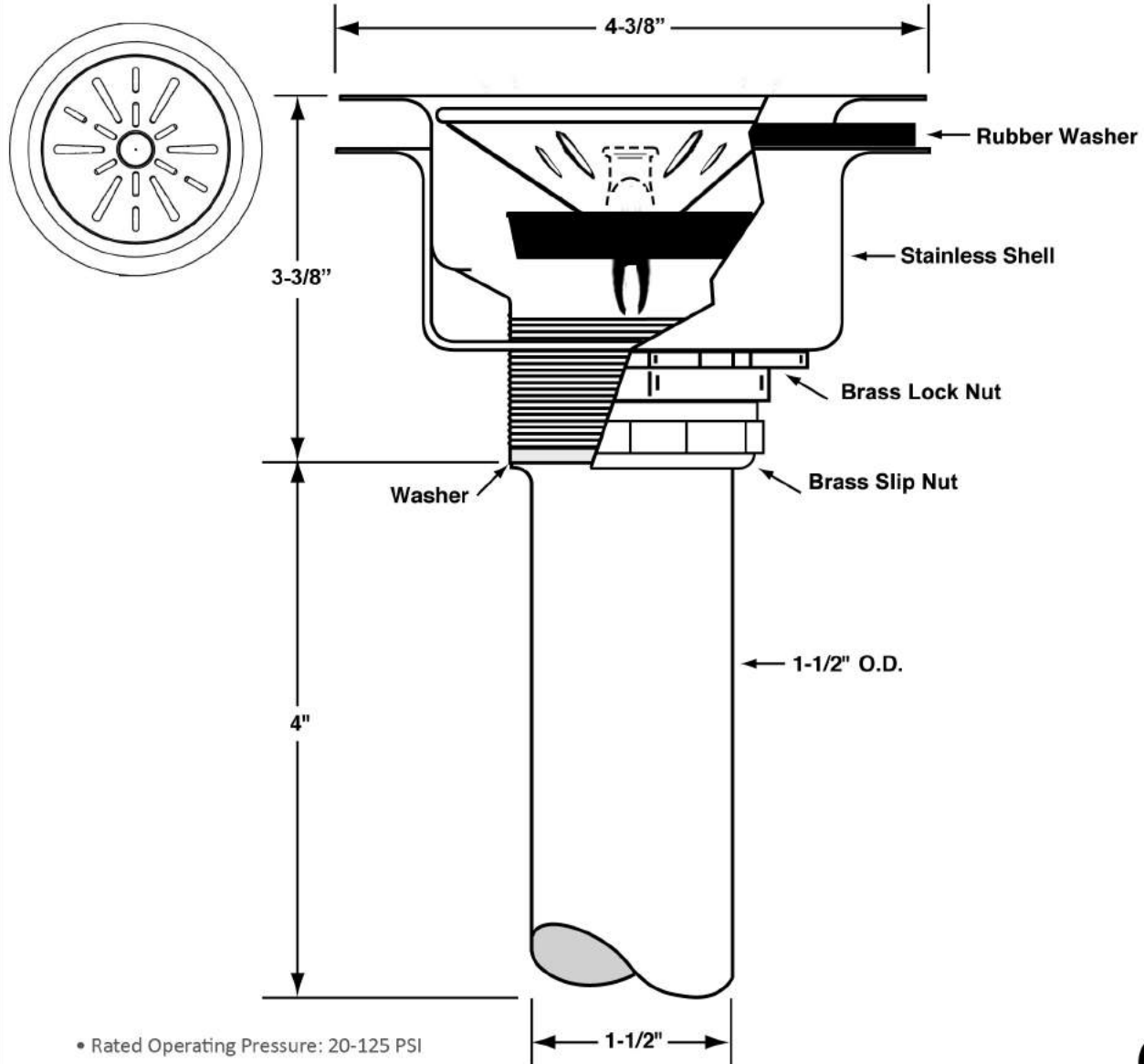
Part No.

151CNSS316

Type 316 Stainless Steel Conical Strainer

Job Name:

Submittal Number:



- Rated Operating Pressure: 20-125 PSI
- Rated Operating Temperature: 40-140°F
- Note: 180°F max. during temporary high-temperature system flush



ASME A112.18.2/CSA B125.2

Specifications:

Heavy duty Type 316 stainless steel conical basket strainer with stainless steel tailpiece. Furnished with 1-1/2" x 1-1/2" cast brass slip nut and 1-1/2" rough brass lock nut. Basket strainer shall be in compliance with CSA and bear both manufacturer and testing mark.



WARNING:

This product can expose you to chemicals including lead, which is known to the State of California to cause cancer, and birth defects or other reproductive harm. For more information go to www.P65Warnings.ca.gov.



McGuire Manufacturing Co., Inc.

60 Grandview Court
Cheshire, Connecticut 06410
(203) 699-1801 Fax (203) 699-1813
customerservice@mcguiremfg.com mcguiremfg.com

PRODUCT SPECIFICATION

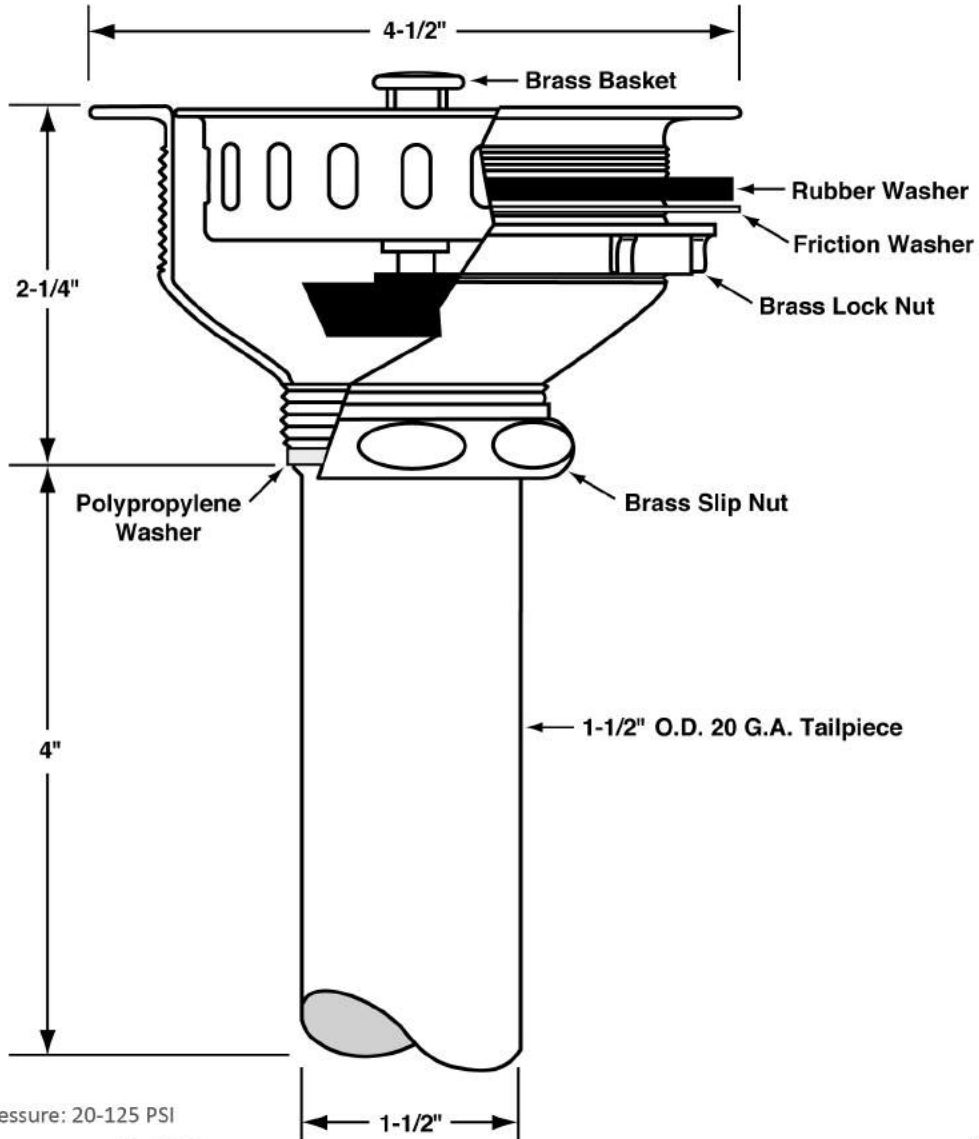
Part No.

151LT

Brass Basket Strainer

Job Name:

Submittal Number:



- Rated Operating Pressure: 20-125 PSI
- Rated Operating Temperature: 40-140°F
- Note: 180°F max. during temporary high-temperature system flush

See options and accessories section for details on product variations.



ASME A112.18.2/CSA B125.2

Specifications:

Heavy duty forged brass basket strainer with a polished and chrome plated brass strainer body, 1-1/2" x 4" seamless brass tailpiece, cast brass lock and coupling nuts. Fits sink thickness up to 5/8". Basket strainer in compliance with CSA or other recognized testing authority and bear both manufacturer and testing mark.



WARNING:

This product can expose you to chemicals including lead, which is known to the State of California to cause cancer, and birth defects or other reproductive harm. For more information go to www.P65Warnings.ca.gov.



McGuire Manufacturing Co., Inc.

60 Grandview Court
Cheshire, Connecticut 06410
(203) 699-1801 Fax (203) 699-1813
customerservice@mcguiremfg.com mcguiremfg.com

PRODUCT SPECIFICATION

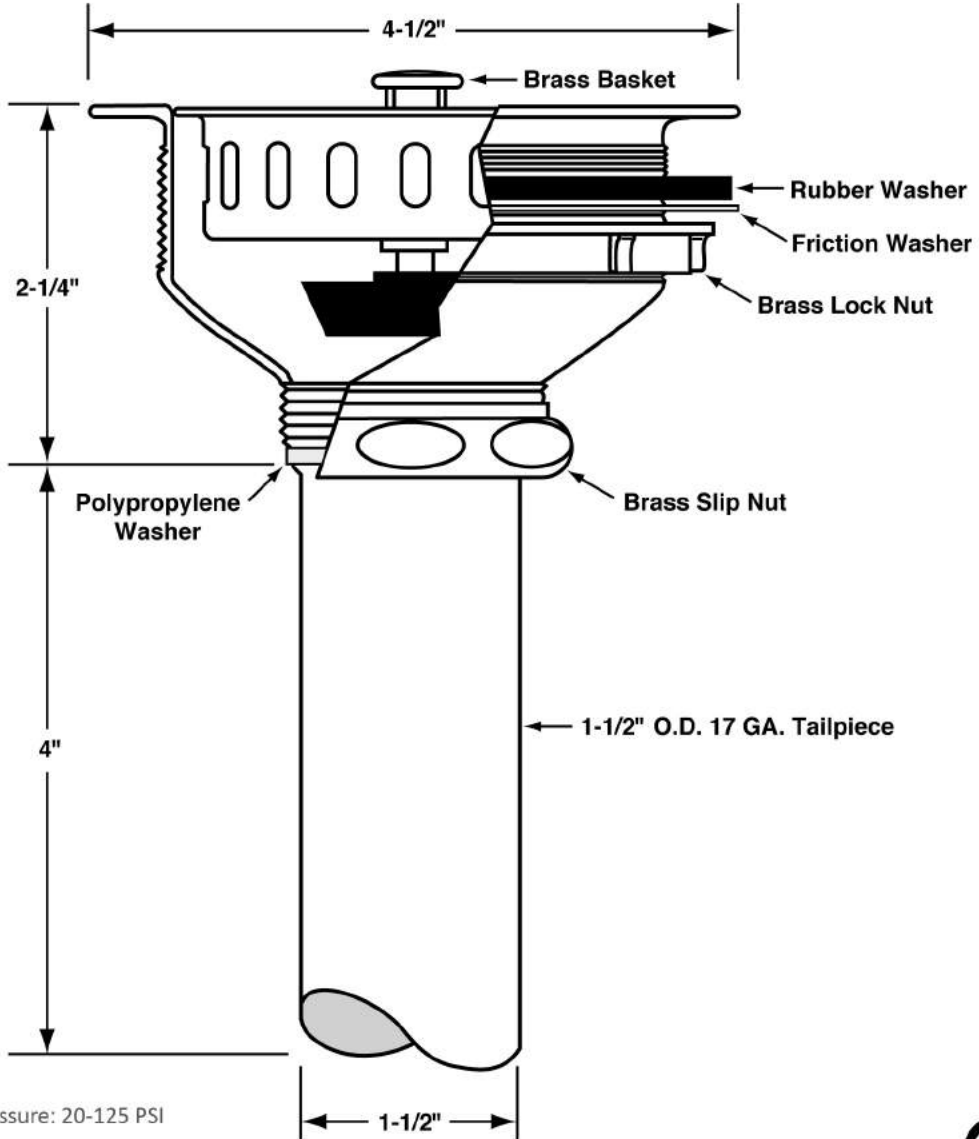
Part No.

151M

Brass Basket Strainer

Job Name:

Submittal Number:



- Rated Operating Pressure: 20-125 PSI
- Rated Operating Temperature: 40-140°F
- Note: 180°F max. during temporary high-temperature system flush

See options and accessories section for details on product variations.



ASME A112.18.2/CSA B125.2

Specifications:

Heavy duty forged brass basket strainer with a polished and chrome plated brass strainer body, 1-1/2" x 4" seamless brass 17GA tailpiece, cast brass lock and coupling nuts. Fits sink thickness up to 5/8". Basket strainer in compliance with CSA or other recognized test authority and bear both manufacturer and testing mark.



WARNING:

This product can expose you to chemicals including lead, which is known to the State of California to cause cancer, and birth defects or other reproductive harm. For more information go to www.P65Warnings.ca.gov.



McGuire Manufacturing Co., Inc.

60 Grandview Court

Cheshire, Connecticut 06410

(203) 699-1801 Fax (203) 699-1813

customerservice@mcguiremfg.com mcguiremfg.com

PRODUCT SPECIFICATION

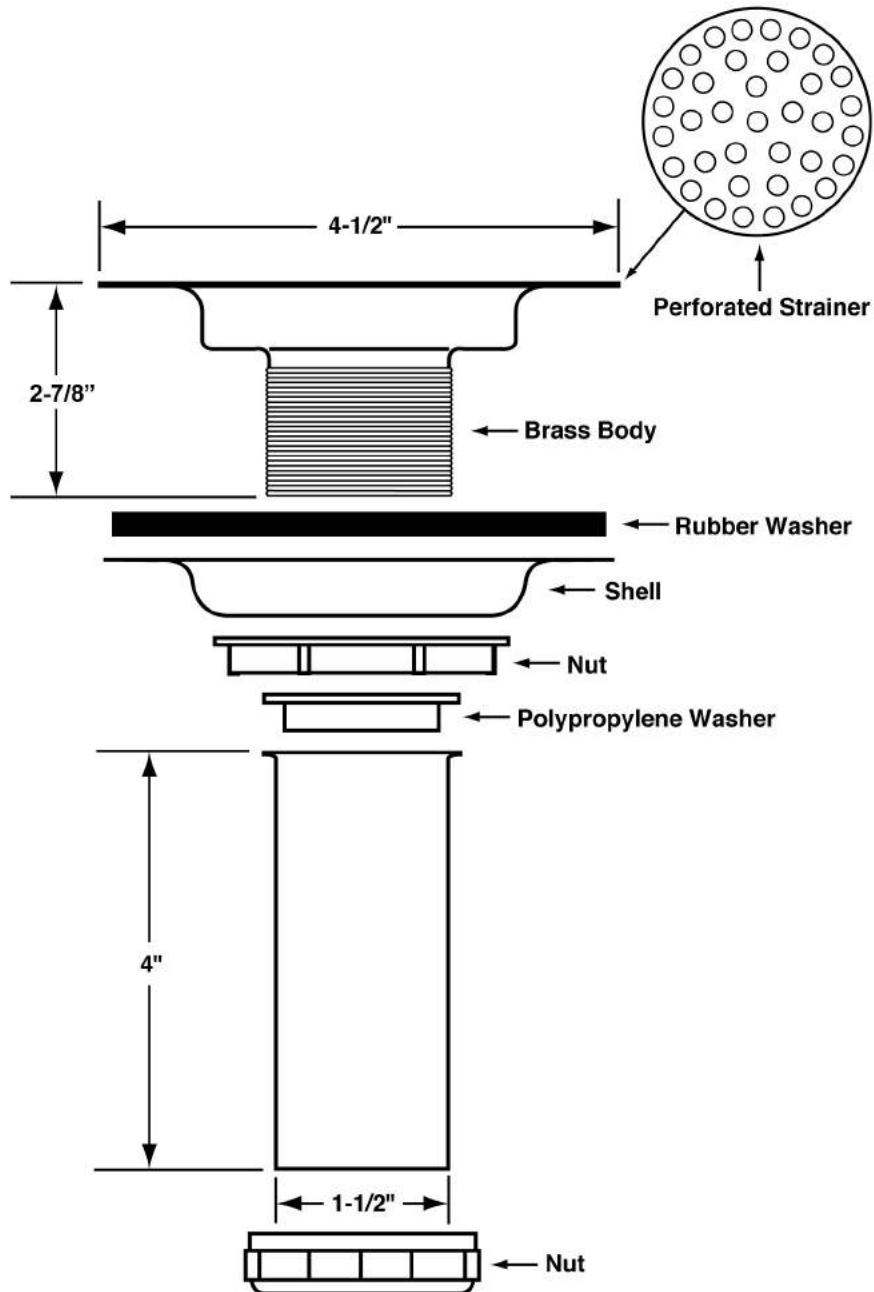
Part No.

152

**Wide Top Sink
Strainer**

Job Name:

Submittal Number:



See options and accessories section for details on product variations.

Specifications:

Wrought brass chrome plated flat grid sink strainer with 1-1/2" x 4" seamless brass tailpiece, cast brass lock and coupling nut. Fits sink thickness up to 1".



WARNING:

This product can expose you to chemicals including lead, which is known to the State of California to cause cancer, and birth defects or other reproductive harm. For more information go to www.P65Warnings.ca.gov.



McGuire Manufacturing Co., Inc.

60 Grandview Court
Cheshire, Connecticut 06410
(203) 699-1801 Fax (203) 699-1813
customerservice@mcguiremfg.com mcguiremfg.com

PRODUCT SPECIFICATION

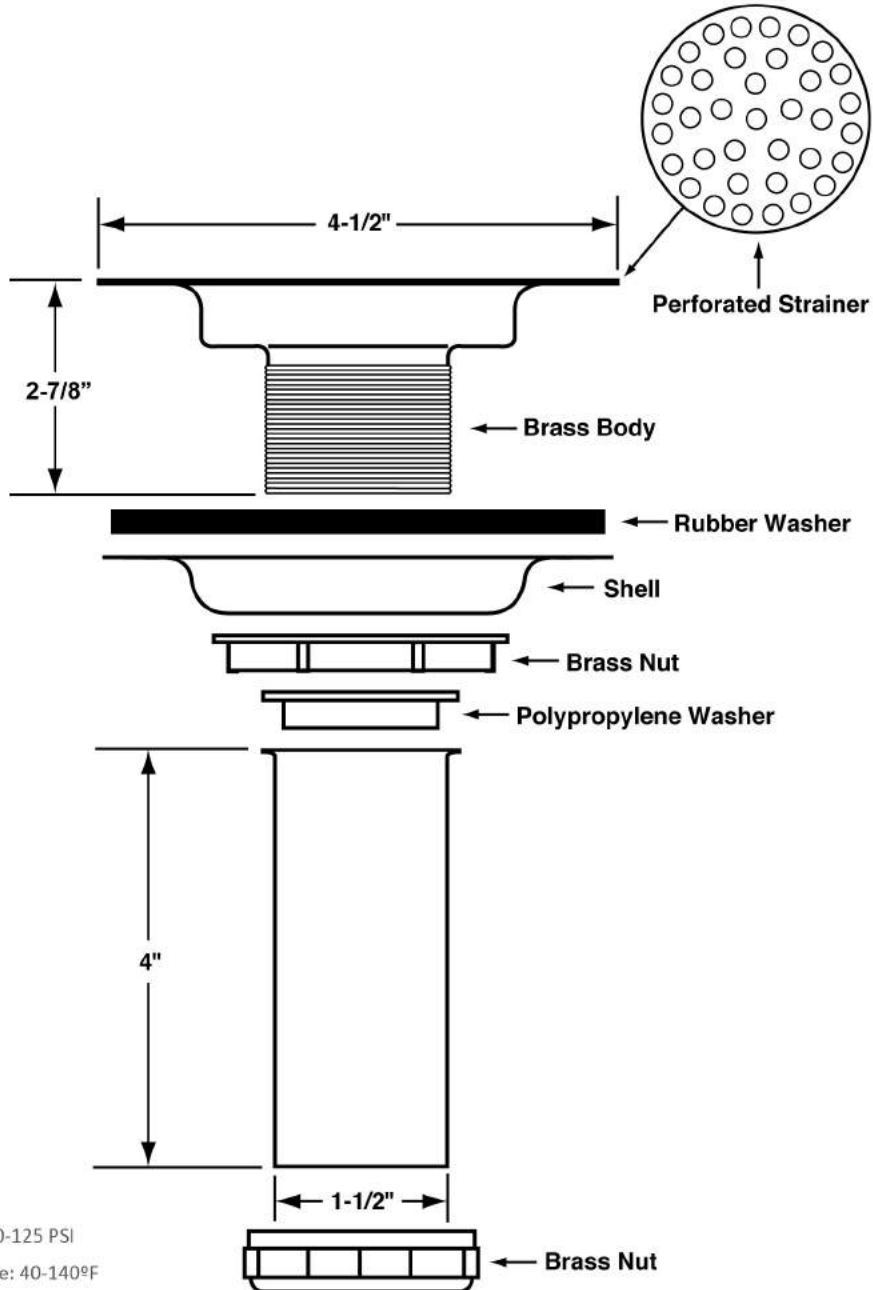
Part No.

152N

Wide Top Sink
Strainer

Job Name:

Submittal Number:



- Rated Operating Pressure: 20-125 PSI
- Rated Operating Temperature: 40-140°F
- Note: 180°F max. during temporary high-temperature system flush

See options and accessories section for details on product variations.

Specifications:

Wrought brass chrome plated wide top sink strainer with 1-1/2" x 4" seamless brass tailpiece with brass attachment nuts. Fits sink thickness up to 5/8".



WARNING:

This product can expose you to chemicals including lead, which is known to the State of California to cause cancer, and birth defects or other reproductive harm. For more information go to www.P65Warnings.ca.gov.



McGuire Manufacturing Co., Inc.

60 Grandview Court
Cheshire, Connecticut 06410
(203) 699-1801 Fax (203) 699-1813
customerservice@mcguiremfg.com mcguiremfg.com

PRODUCT SPECIFICATION

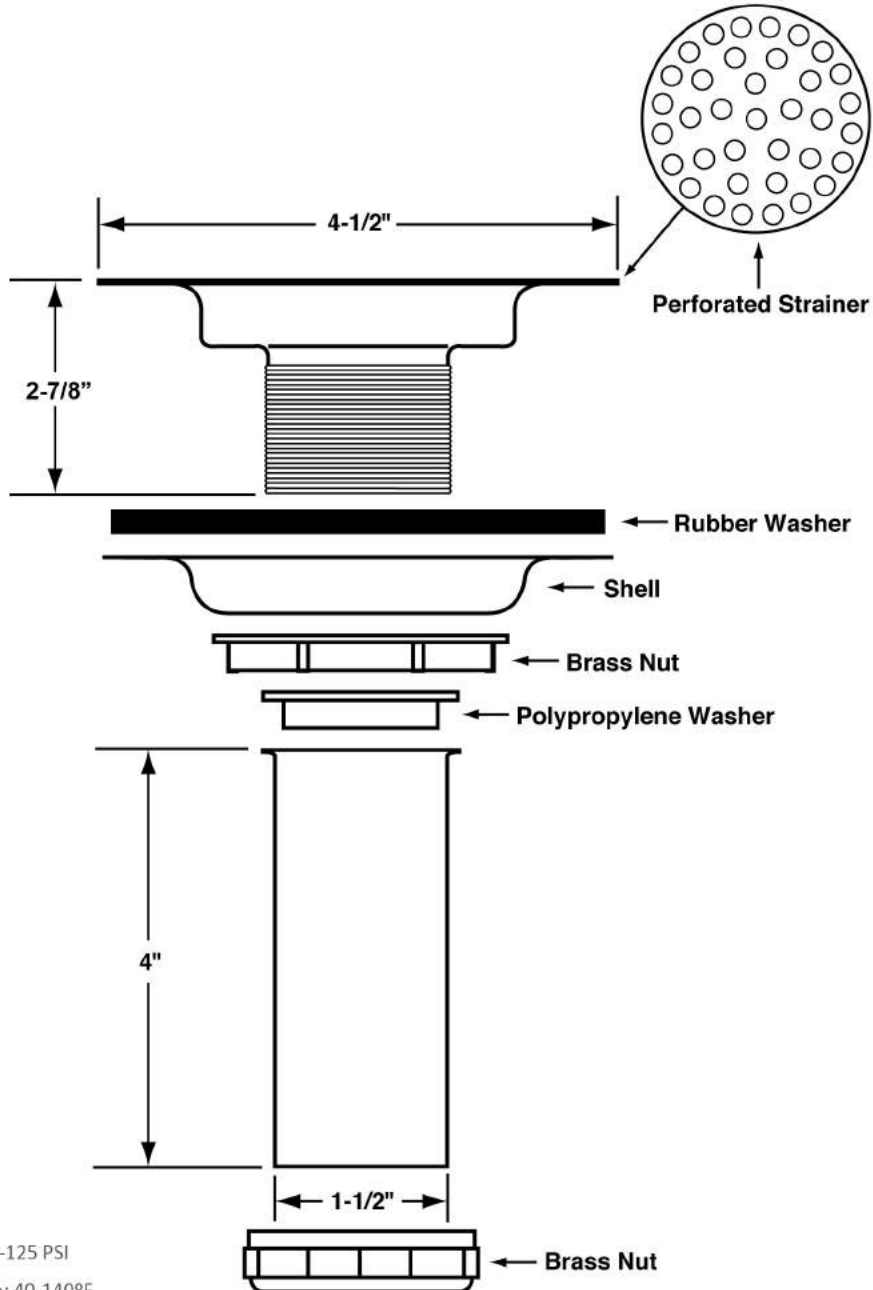
Part No.

152NSS

Type 304 Stainless Steel Wide
Top Sink Strainer

Job Name:

Submittal Number:



- Rated Operating Pressure: 20-125 PSI
- Rated Operating Temperature: 40-140°F
- Note: 180°F max. during temporary high-temperature system flush

Specifications:

Type 304 stainless steel wide top sink strainer with 1-1/2" x 4" seamless brass tailpiece with brass attachment nuts. Fits sink thickness up to 5/8".



WARNING:

This product can expose you to chemicals including lead, which is known to the State of California to cause cancer, and birth defects or other reproductive harm. For more information go to www.P65Warnings.ca.gov.



McGuire Manufacturing Co., Inc.

60 Grandview Court
Cheshire, Connecticut 06410
(203) 699-1801 Fax (203) 699-1813
customerservice@mcguiremfg.com mcguiremfg.com

PRODUCT SPECIFICATION

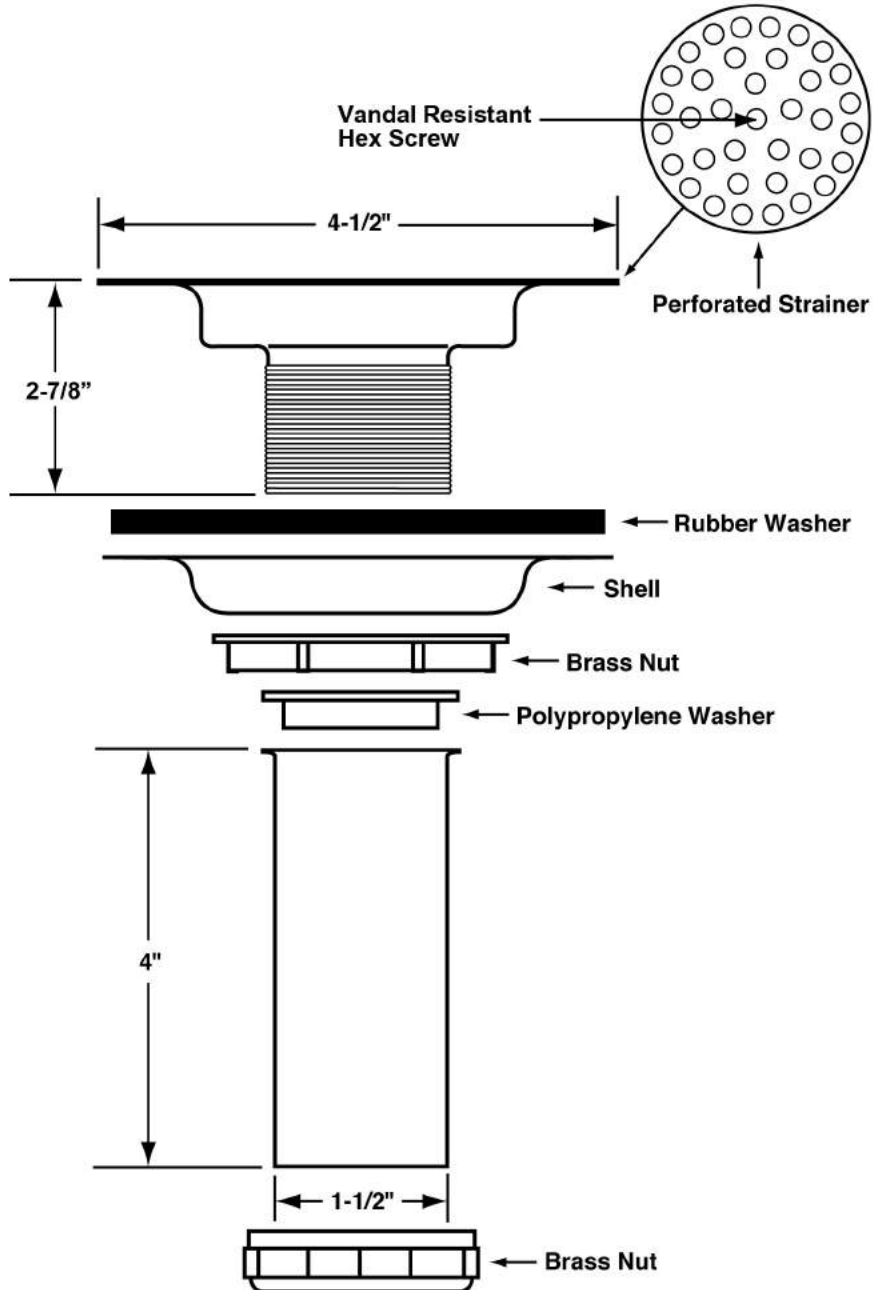
Part No.

152NVSS316

Type 316 Stainless Steel Wide Top
Sink Strainer with Vandal Screws

Job Name:

Submittal Number:



Specifications:

Type 316 stainless steel wide top sink strainer with 1-1/2" x 4" seamless brass tailpiece with brass attachment nuts. Comes with vandal resistant style hex screw. Fits sink thickness up to 5/8".



WARNING:

This product can expose you to chemicals including lead, which is known to the State of California to cause cancer, and birth defects or other reproductive harm. For more information go to www.P65Warnings.ca.gov.



McGuire Manufacturing Co., Inc.

60 Grandview Court
Cheshire, Connecticut 06410
(203) 699-1801 Fax (203) 699-1813
customerservice@mcguiremfg.com mcguiremfg.com

PRODUCT SPECIFICATION

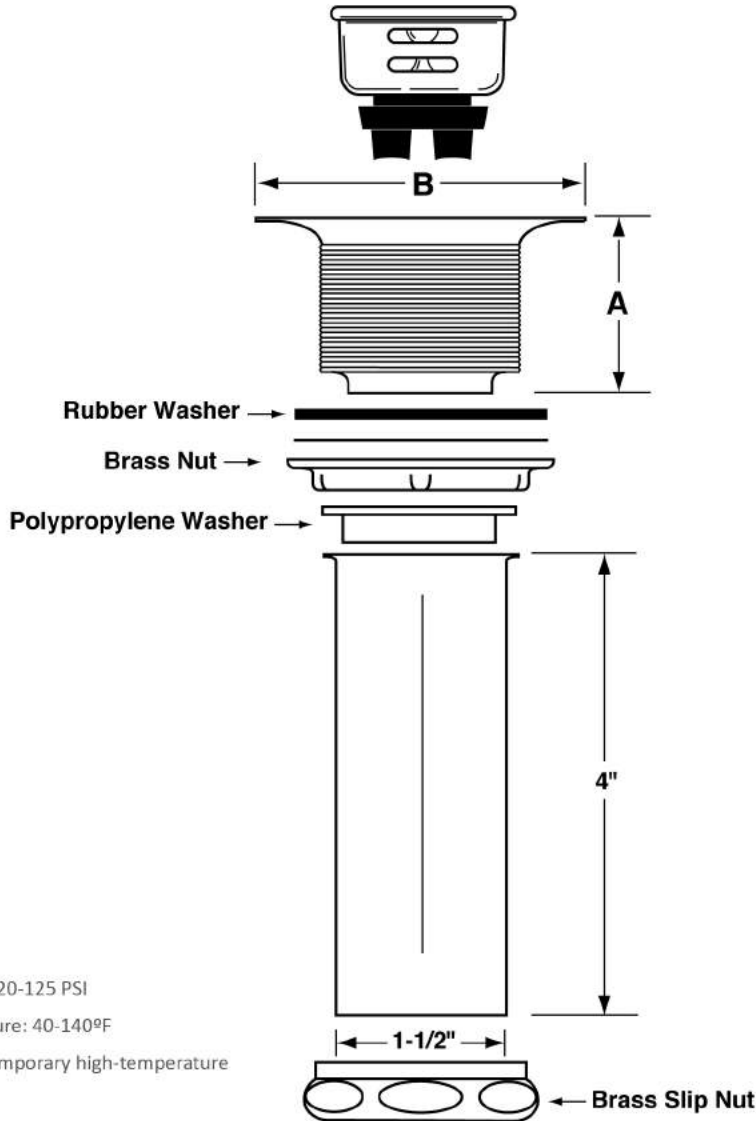
Part No.

153

Bar Sink Strainer

Job Name:

Submittal Number:



- Rated Operating Pressure: 20-125 PSI
- Rated Operating Temperature: 40-140°F
- Note: 180°F max. during temporary high-temperature system flush

MODEL NO.	DESCRIPTION	A	B
153	Bar Sink Strainer	1-5/8"	2-3/4"

See options and accessories section for details on product variations.

Specifications:

Wrought brass chrome plated bar sink strainer with 1-1/2" x 4" seamless brass tailpiece, cast brass lock and coupling nut. Fits sink thickness up to 1/2".



WARNING:

This product can expose you to chemicals including lead, which is known to the State of California to cause cancer, and birth defects or other reproductive harm. For more information go to www.P65Warnings.ca.gov.



McGuire Manufacturing Co., Inc.

60 Grandview Court
Cheshire, Connecticut 06410
(203) 699-1801 Fax (203) 699-1813
customerservice@mcguiremfg.com mcguiremfg.com

PRODUCT SPECIFICATION

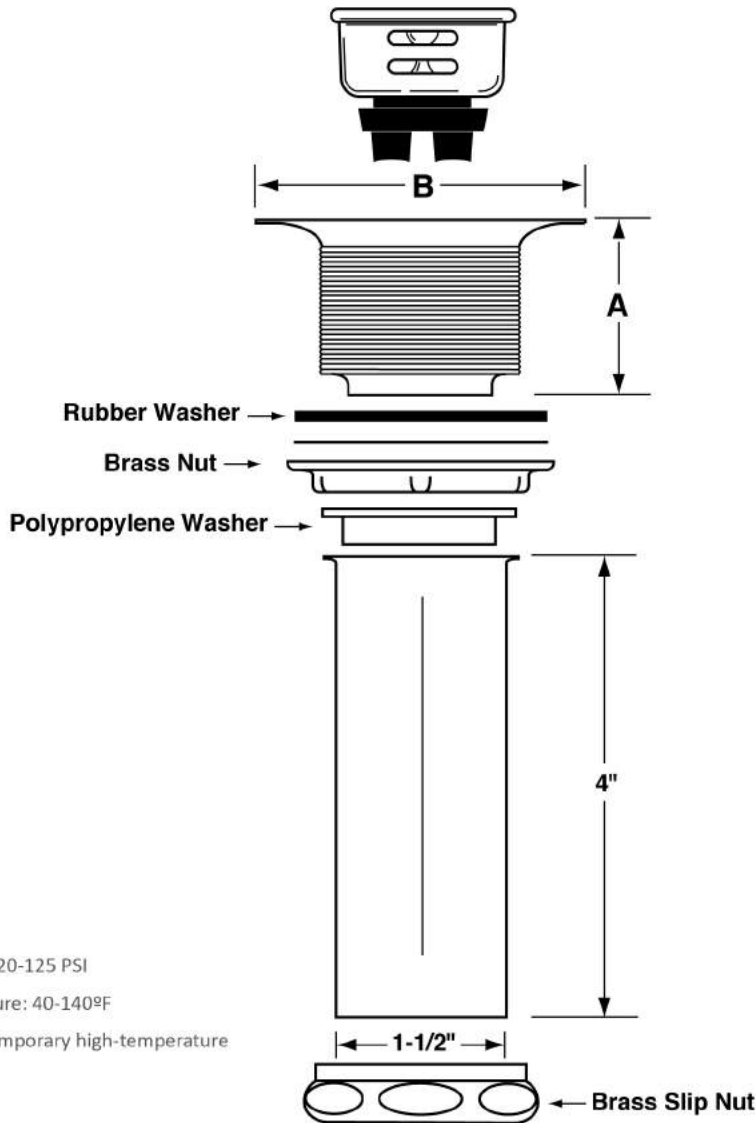
Part No.

154

Bar Sink Strainer

Job Name:

Submittal Number:



- Rated Operating Pressure: 20-125 PSI
- Rated Operating Temperature: 40-140°F
- Note: 180°F max. during temporary high-temperature system flush

MODEL NO.	DESCRIPTION	A	B
154	Deep Bar Sink Strainer	2-3/4"	2-7/8"

See options and accessories section for details on product variations.

Specifications:

Wrought brass chrome plated bar sink strainer with 1-1/2" x 4" seamless brass tailpiece, cast brass lock and coupling nut. Fits sink thickness up to 1/2".



WARNING:

This product can expose you to chemicals including lead, which is known to the State of California to cause cancer, and birth defects or other reproductive harm. For more information go to www.P65Warnings.ca.gov.



McGuire Manufacturing Co., Inc.

60 Grandview Court
Cheshire, Connecticut 06410
(203) 699-1801 Fax (203) 699-1813
customerservice@mcguiremfg.com mcguiremfg.com

PRODUCT SPECIFICATION

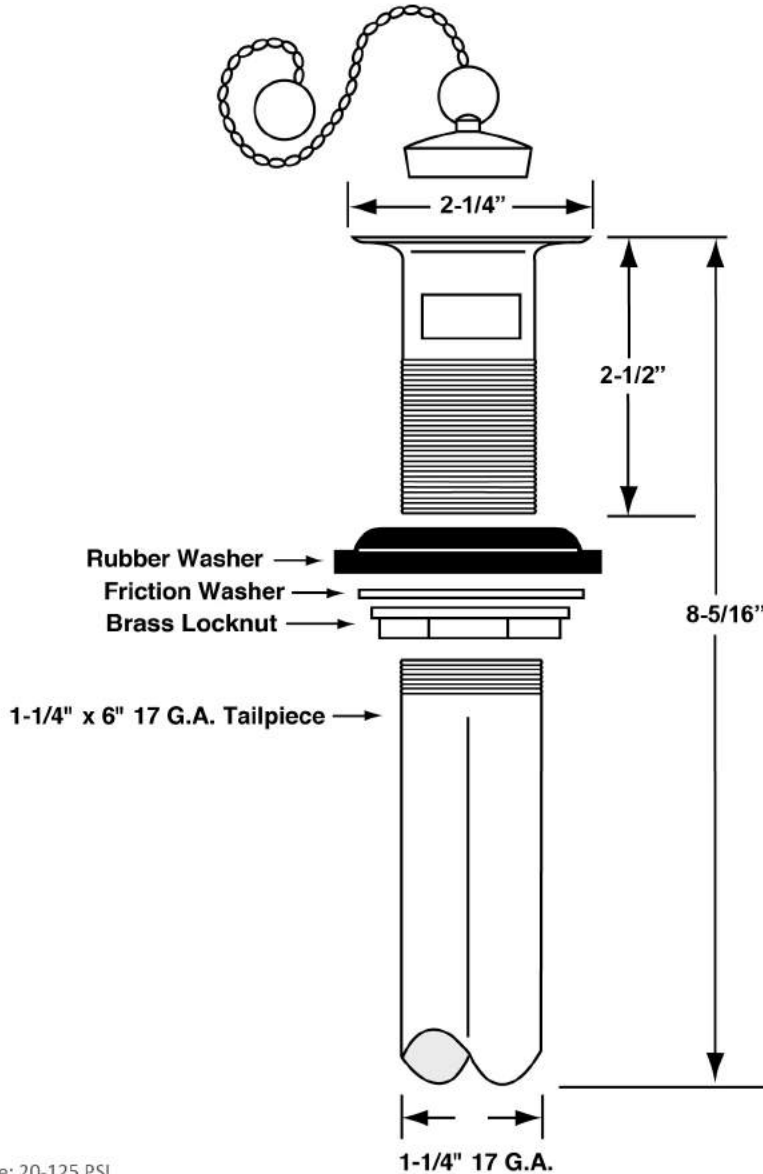
Part No.

155

P.O. Plug w/Chain
& Rubber Stopper

Job Name:

Submittal Number:



- Rated Operating Pressure: 20-125 PSI
- Rated Operating Temperature: 40-140°F
- Note: 180°F max. during temporary high-temperature system flush

See options and accessories section for details on product variations.

Specifications:

Cast Brass Chrome Plated Chain and Rubber Stopper P.O. Plug with cast brass follower, chain and rubber stopper and 1-1/4" x 6" 17 gauge seamless brass tailpiece.



WARNING:

This product can expose you to chemicals including lead, which is known to the State of California to cause cancer, and birth defects or other reproductive harm. For more information go to www.P65Warnings.ca.gov.



McGuire Manufacturing Co., Inc.

60 Grandview Court
Cheshire, Connecticut 06410
(203) 699-1801 Fax (203) 699-1813
customerservice@mcguiremfg.com mcguiremfg.com

PRODUCT SPECIFICATION

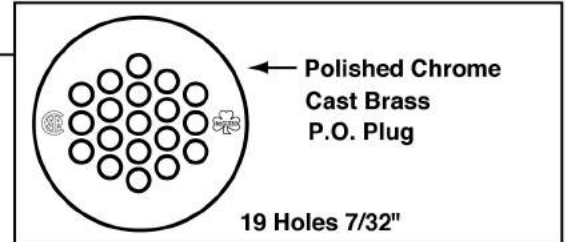
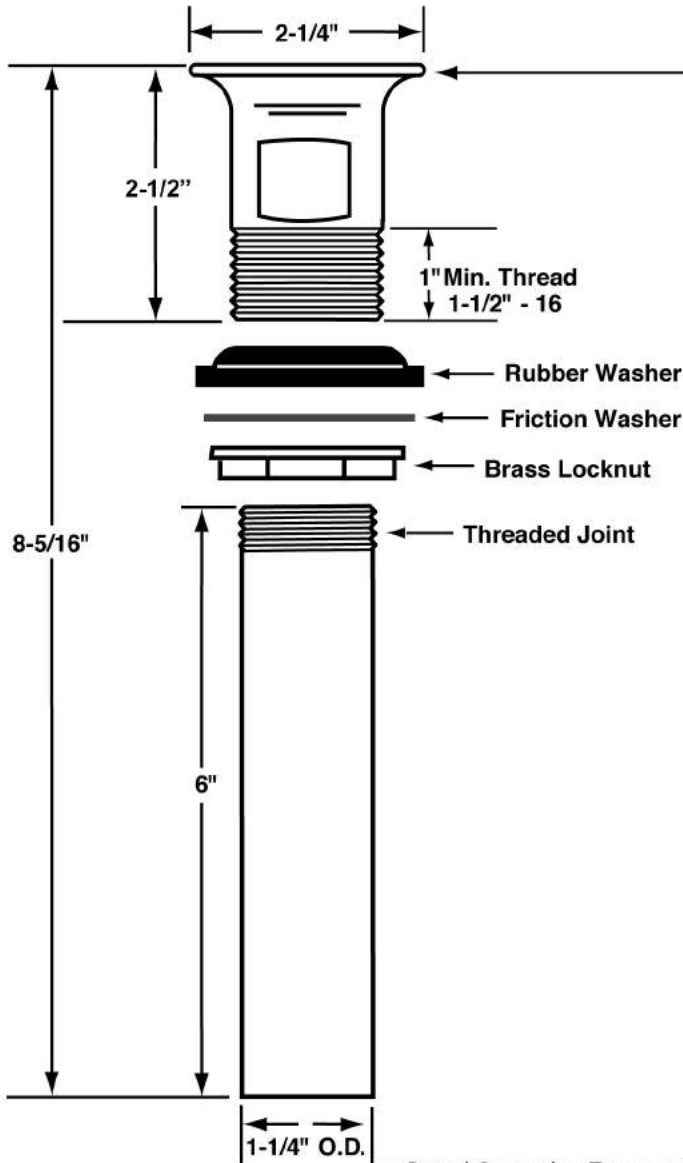
Part No.

155A

Open Grid P.O. Plug

Job Name:

Submittal Number:



19 Holes 7/32"

- Rated Operating Temperature: 40-140°F
- Note: 180°F max. during temporary high-temperature system flush



See options and accessories section for details on product variations

ASME A112.18.2/CSA B125.2

Specifications:

Cast brass chrome plated open grid P.O. plug with 17GA 1-1/4" x 6" seamless brass tailpiece, brass lock nut, heavy rubber basin washer and fiber friction washer. P.O. plug shall be in compliance with CSA or other recognized testing authority and bear both manufacturer and testing mark.



This product can expose you to chemicals including lead, which is known to the State of California to cause cancer, and birth defects or other reproductive harm. For more information go to www.P65Warnings.ca.gov.



McGuire Manufacturing Co., Inc.

60 Grandview Court
Cheshire, Connecticut 06410
(203) 699-1801 Fax (203) 699-1813
customerservice@mcguiremfg.com mcguiremfg.com

PRODUCT SPECIFICATION

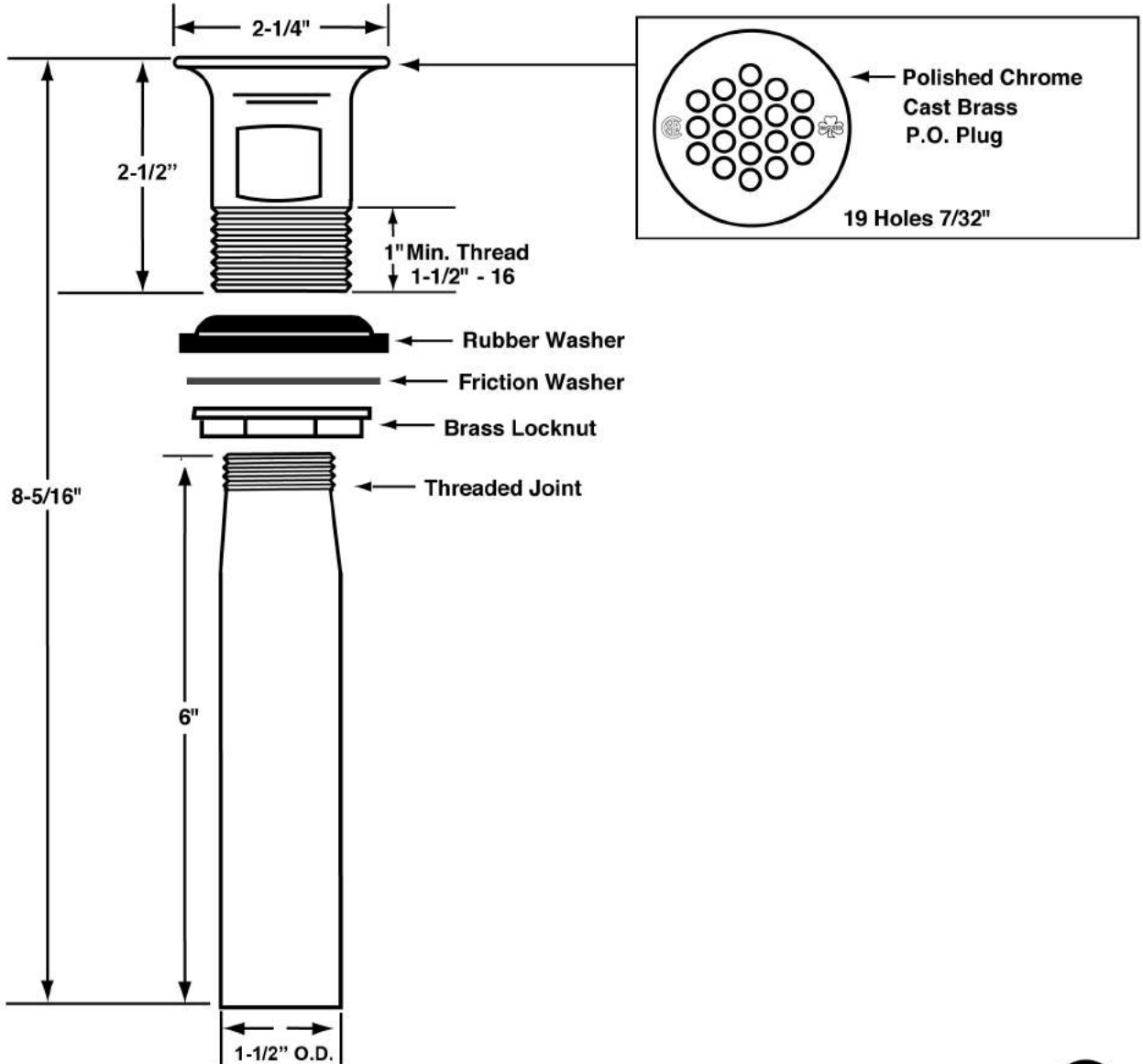
Part No.

155A2

Open Grid P.O. Plug

Job Name:

Submittal Number:



- Rated Operating Pressure: 20-125 PSI
- Rated Operating Temperature: 40-140°F
- Note: 180°F max. during temporary high-temperature system flush



ASME A112.18.2/CSA B125.2

Specifications:

Cast brass chrome plated open grid P.O. plug with 17GA 1-1/2" x 6" seamless brass tailpiece, brass lock nut, heavy rubber basin washer and fiber friction washer. P.O. plug shall be in compliance with CSA or other recognized testing authority and bear both manufacturer and testing mark.



WARNING:

This product can expose you to chemicals including lead, which is known to the State of California to cause cancer, and birth defects or other reproductive harm. For more information go to www.P65Warnings.ca.gov.



McGuire Manufacturing Co., Inc.

60 Grandview Court
Cheshire, Connecticut 06410
(203) 699-1801 Fax (203) 699-1813
customerservice@mcguiremfg.com mcguiremfg.com

PRODUCT SPECIFICATION

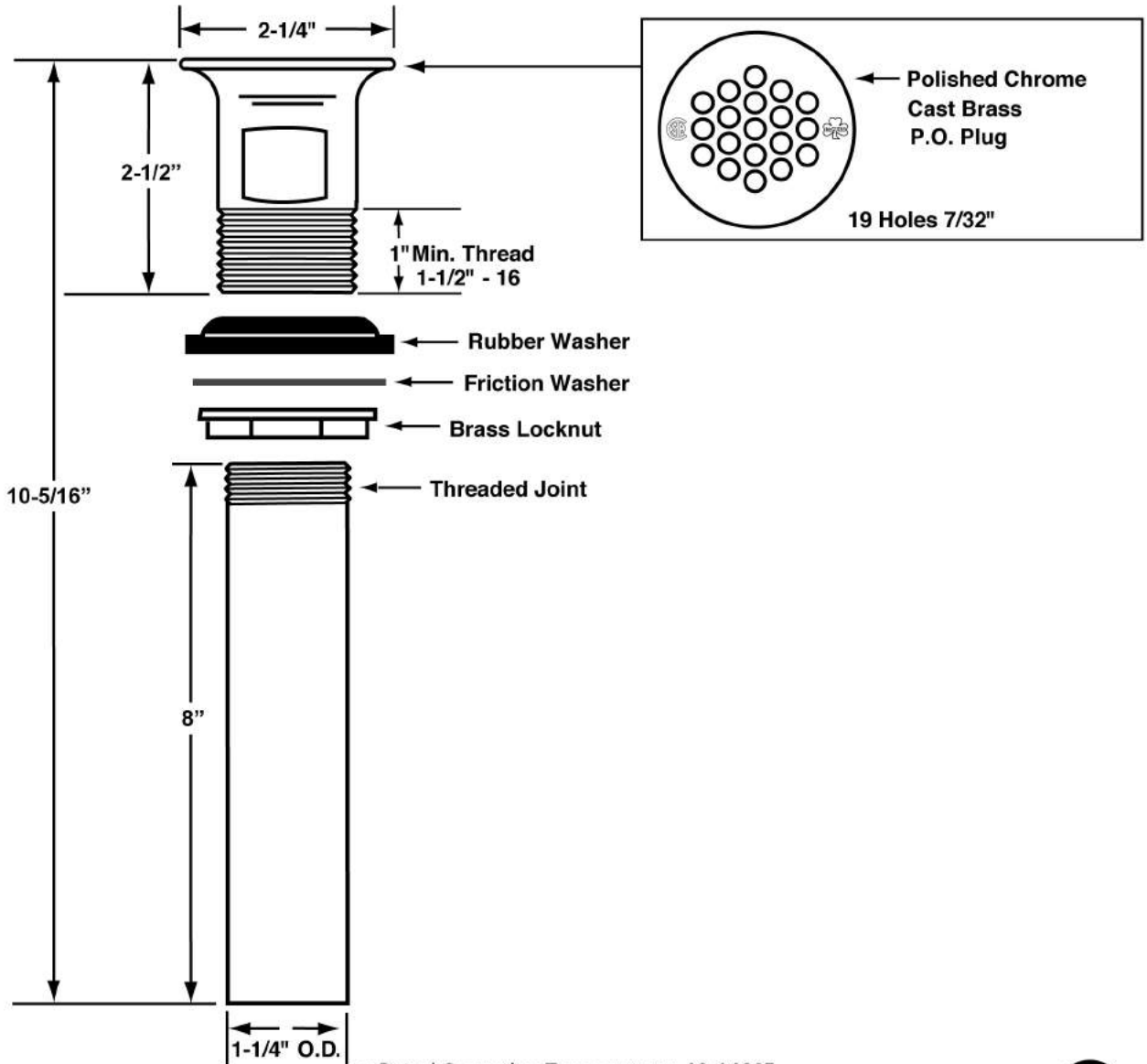
Part No.

155A8

Open Grid P.O. Plug

Job Name:

Submittal Number:



- Rated Operating Temperature: 40-140°F
- Note: 180°F max. during temporary high-temperature system flush



See options and accessories section for details on product variations

ASME A112.18.2/CSA B125.2

Specifications:

Cast brass chrome plated open grid P.O. plug with 17GA 1-1/4" x 8" seamless brass tailpiece, brass lock nut, heavy rubber basin washer and fiber friction washer. P.O. plug shall be in compliance with CSA or other recognized testing authority and bear both manufacturer and testing mark.



WARNING:

This product can expose you to chemicals including lead, which is known to the State of California to cause cancer, and birth defects or other reproductive harm. For more information go to www.P65Warnings.ca.gov.



McGuire Manufacturing Co., Inc.

60 Grandview Court
Cheshire, Connecticut 06410
(203) 699-1801 Fax (203) 699-1813
customerservice@mcguiremfg.com mcguiremfg.com

PRODUCT SPECIFICATION

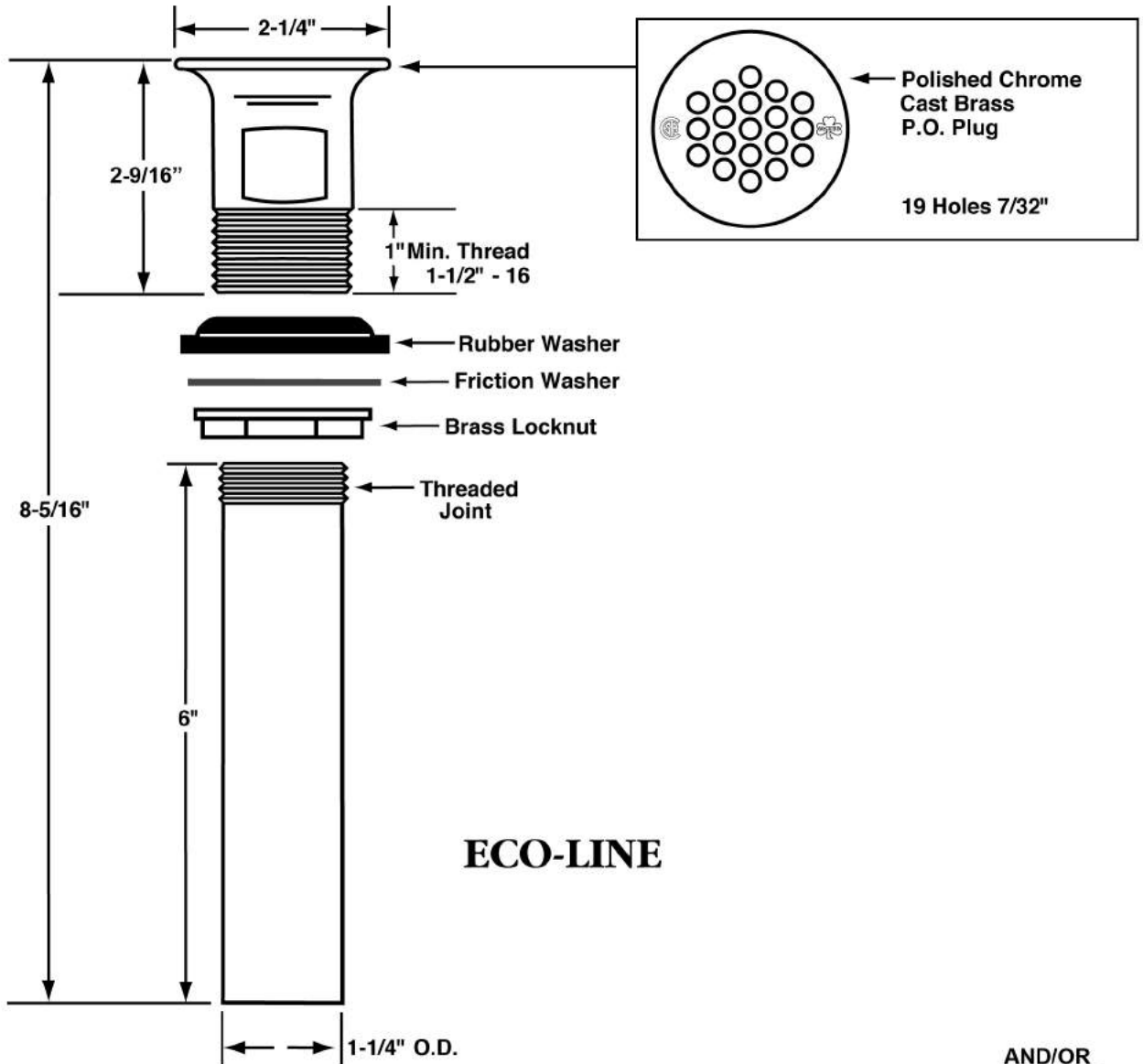
Part No.

155AECO

Open Grid P.O. Plug

Job Name:

Submittal Number:



ECO-LINE

AND/OR



ASME A112.18.2/CSA B125.2

Specifications:

Cast Brass Chrome Plated Open Grid P.O. Plug with 17 gauge 1-1/4" x 6" seamless brass tailpiece, brass lock nut, heavy rubber basin washer and fiber friction washer. Drain shall be in compliance with CSA or other recognized testing authority and bear both manufacturer and testing mark.



WARNING:

This product can expose you to chemicals including lead, which is known to the State of California to cause cancer, and birth defects or other reproductive harm. For more information go to www.P65Warnings.ca.gov.



McGuire Manufacturing Co., Inc.

60 Grandview Court
Cheshire, Connecticut 06410
(203) 699-1801 Fax (203) 699-1813
customerservice@mcguiremfg.com mcguiremfg.com

PRODUCT SPECIFICATION

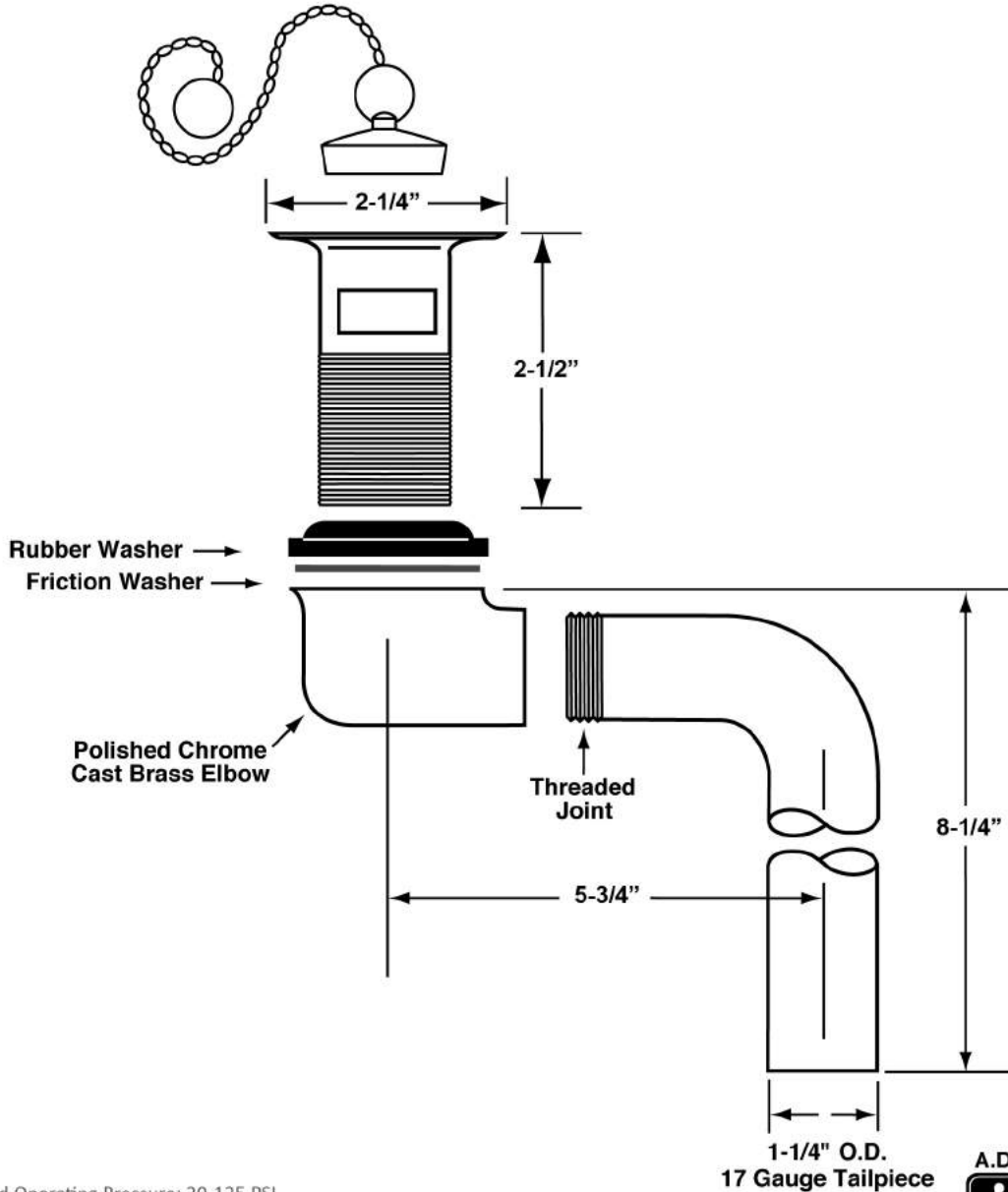
Part No.

155CRSWC

**Offset P.O. Plug w/Chain
& Rubber Stopper**

Job Name:

Submittal Number:



- Rated Operating Pressure: 20-125 PSI
- Rated Operating Temperature: 40-140°F
- Note: 180°F max. during temporary high-temperature system flush

1-1/4" O.D.
17 Gauge Tailpiece

A.D.A.



ASME A112.18.2/CSA B125.2

Specifications:

Cast Brass Chrome Plated Chain and Rubber Stopper Offset Wheelchair Strainer with polished chrome cast brass elbow, 1-1/4" 17 gauge seamless brass offset tailpiece, heavy rubber basin washer and fiber friction washer. Offset lavatory strainer shall be in compliance with CSA or other recognized testing authority and bear both manufacturer and testing mark.



WARNING:

This product can expose you to chemicals including lead, which is known to the State of California to cause cancer, and birth defects or other reproductive harm. For more information go to www.P65Warnings.ca.gov.



McGuire Manufacturing Co., Inc.

60 Grandview Court
Cheshire, Connecticut 06410
(203) 699-1801 Fax (203) 699-1813
customerservice@mcguiremfg.com mcguiremfg.com

PRODUCT SPECIFICATION

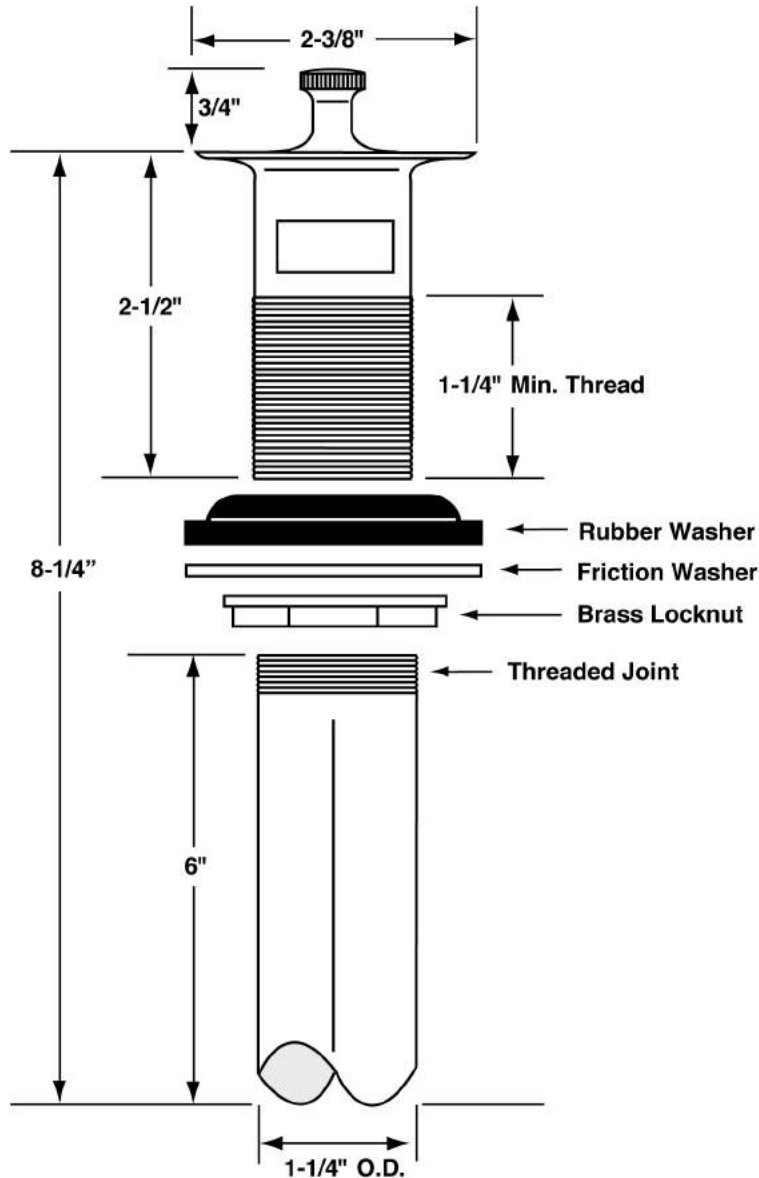
Part No.

155LAT

Lift and Turn P.O. Plug

Job Name:

Submittal Number:



- Rated Operating Pressure: 20-125 PSI
- Rated Operating Temperature: 40-140°F
- Note: 180°F max. during temporary high-temperature system flush

See options and accessories section for details on product variations.



ASME A112.18.2/CSA B125.2

Specifications:

Cast Brass Chrome Plated Lift and Turn P.O. Plug with cast brass follower and 1-1/4" x 6" 17 gauge seamless brass tailpiece. Fits sink thickness up to 2-1/4".



WARNING:

This product can expose you to chemicals including lead, which is known to the State of California to cause cancer, and birth defects or other reproductive harm. For more information go to www.P65Warnings.ca.gov.



McGuire Manufacturing Co., Inc.

60 Grandview Court
Cheshire, Connecticut 06410
(203) 699-1801 Fax (203) 699-1813
customerservice@mcguiremfg.com mcguiremfg.com

PRODUCT SPECIFICATION

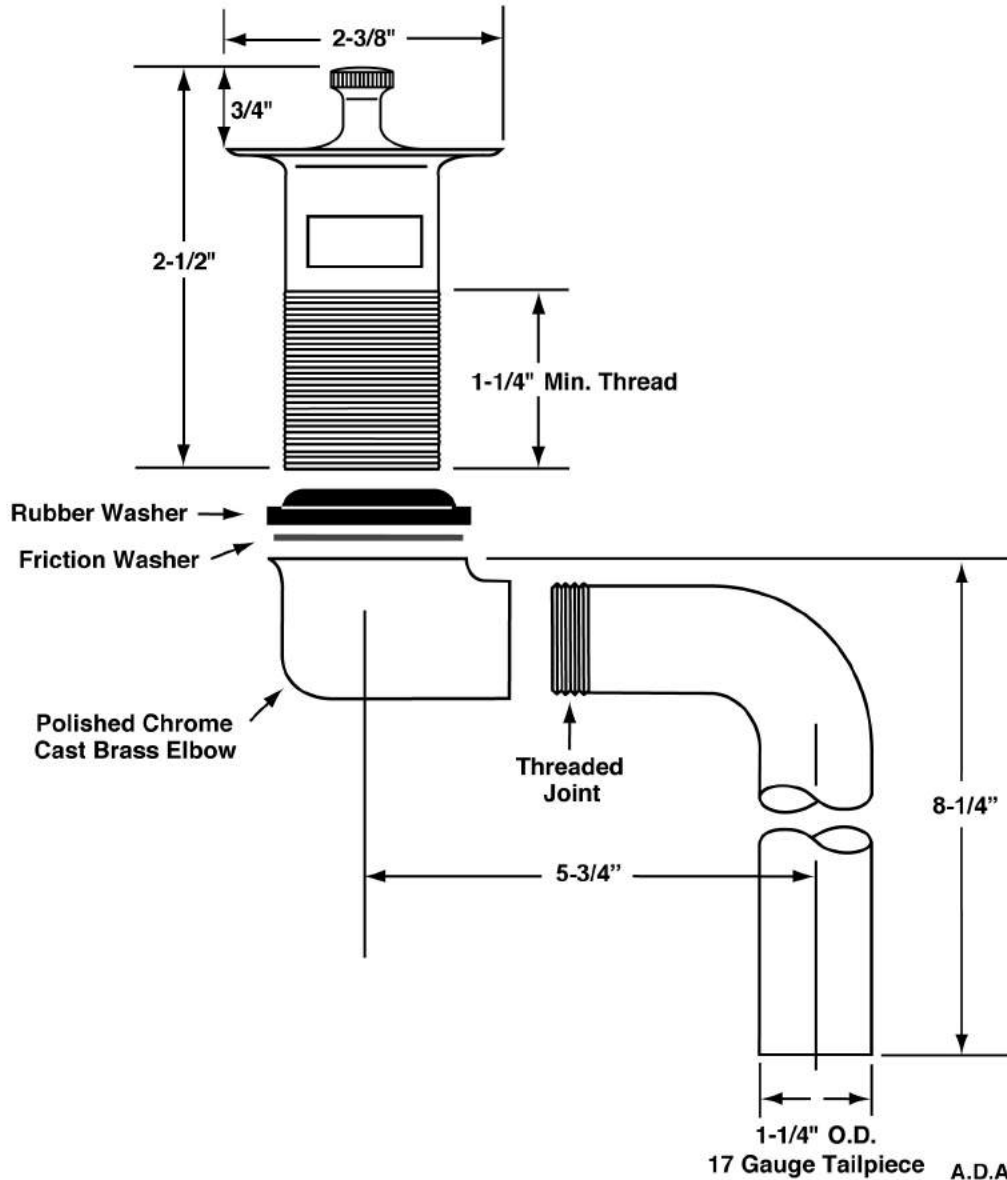
Part No.

155LATWC

**Offset Lift and Turn
P.O. Plug**

Job Name:

Submittal Number:



- Rated Operating Pressure: 20-125 PSI
- Rated Operating Temperature: 40-140°F
- Note: 180°F max. during temporary high-temperature system flush



ASME A112.18.2CSA B125.2

Specifications:

Cast Brass Chrome Plated Lift and Turn Offset Wheelchair Strainer with polished chrome cast brass elbow, 1-1/4" 17 gauge seamless brass offset tailpiece, heavy rubber basin washer and fiber friction washer. Offset lavatory strainer shall be in compliance with CSA or other recognized testing authority and bear both manufacturer and testing mark.



WARNING:

This product can expose you to chemicals including lead, which is known to the State of California to cause cancer, and birth defects or other reproductive harm. For more information go to www.P65Warnings.ca.gov.



McGuire Manufacturing Co., Inc.

60 Grandview Court
Cheshire, Connecticut 06410
(203) 699-1801 Fax (203) 699-1813
customerservice@mcguiremfg.com mcguiremfg.com

PRODUCT SPECIFICATION

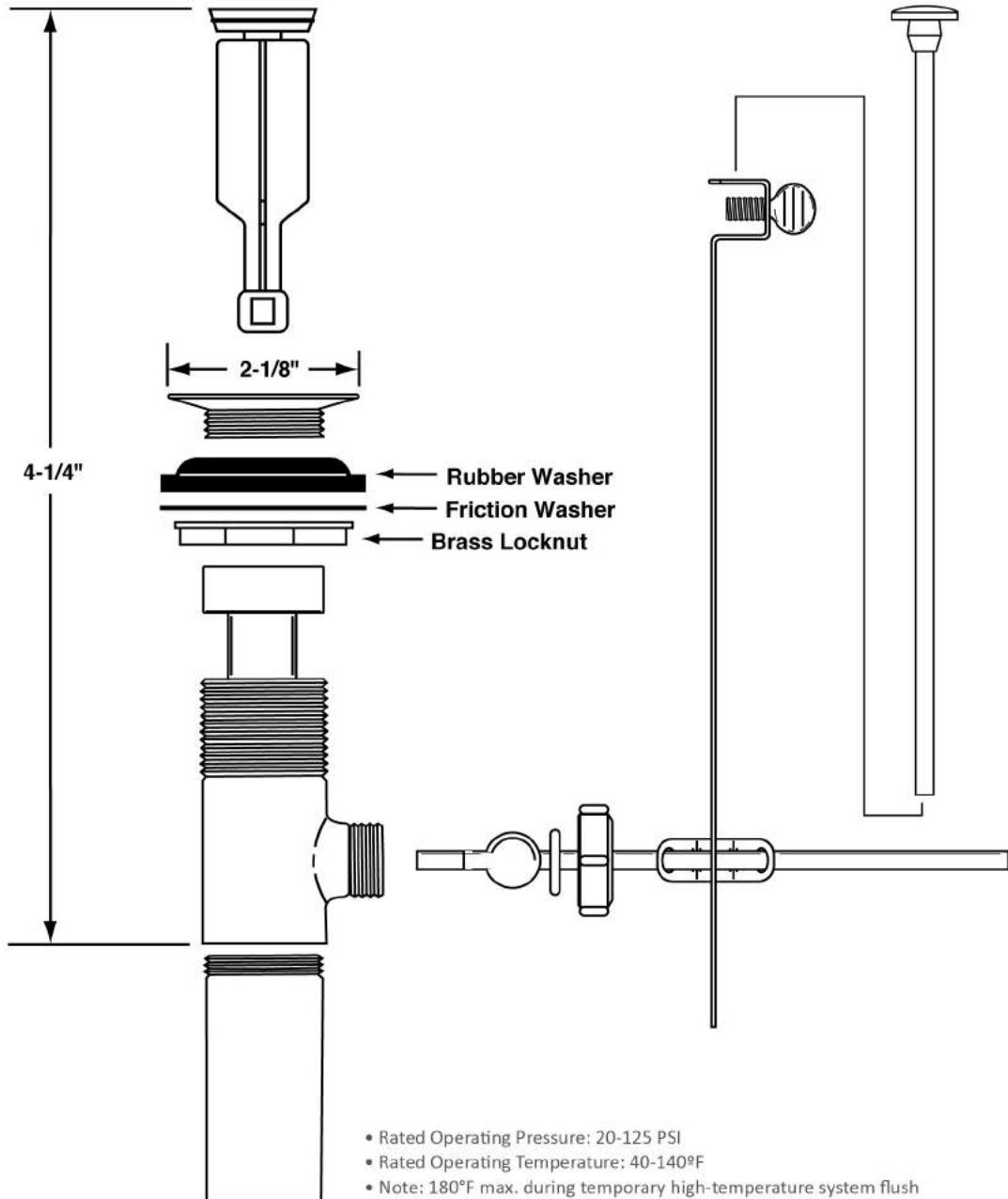
Part No.

155MP

Pop Up P.O. Plug

Job Name:

Submittal Number:



See options and accessories section for details on product variations.

Specifications:

Cast brass chrome plated Pop Up P.O. Plug with cast brass follower, 1-1/4" x 6" 17GA seamless brass tailpiece and cast brass lock nut. Fits sink thickness up to 2".



WARNING:

This product can expose you to chemicals including lead, which is known to the State of California to cause cancer, and birth defects or other reproductive harm. For more information go to www.P65Warnings.ca.gov.



McGuire Manufacturing Co., Inc.

60 Grandview Court
Cheshire, Connecticut 06410
(203) 699-1801 Fax (203) 699-1813
customerservice@mcguiremfg.com mcguiremfg.com

PRODUCT SPECIFICATION

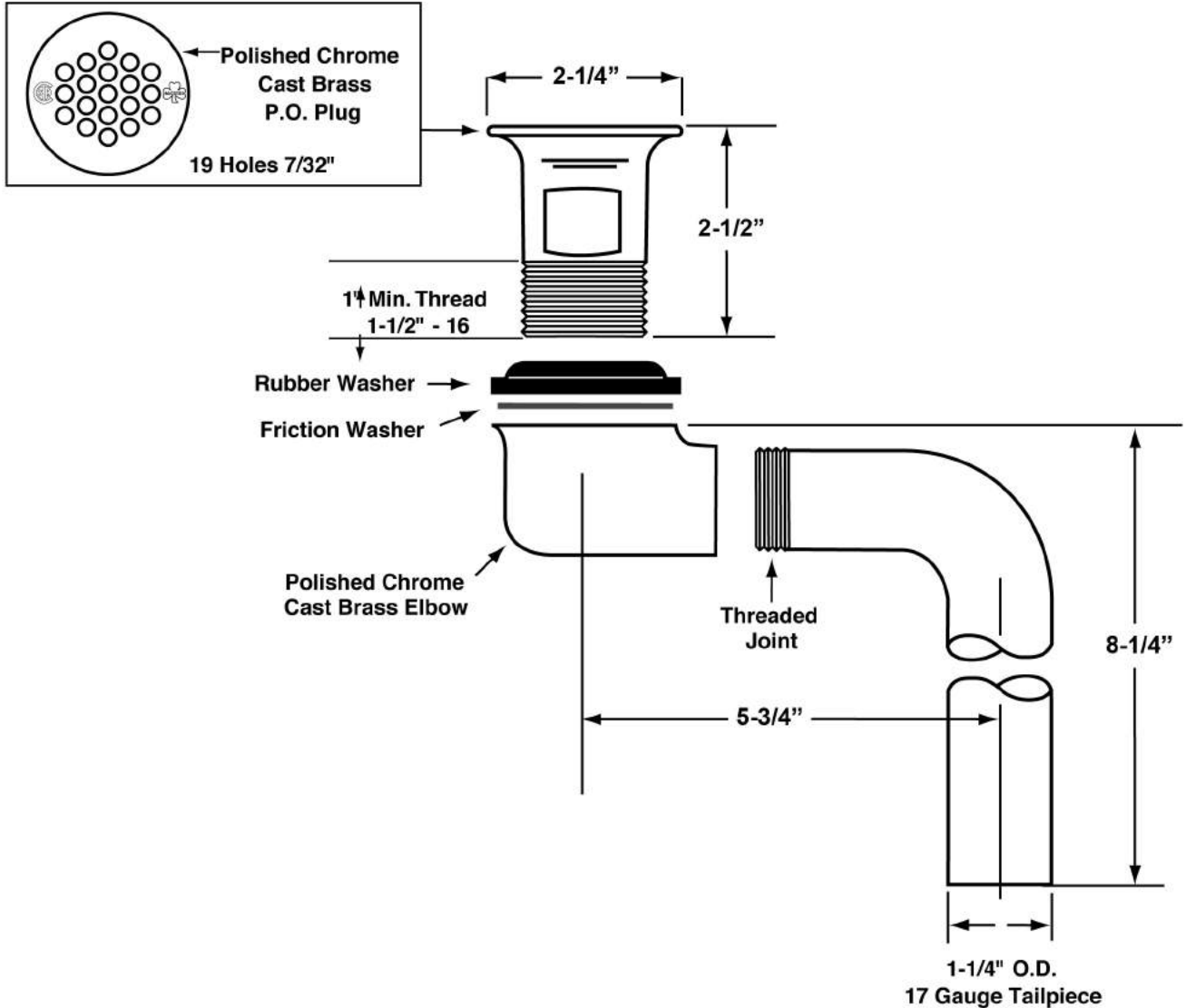
Part No.

155WC

Offset Lavatory Grid Strainer

Job Name:

Submittal Number:



- Rated Operating Temperature: 40-140°F
- Note: 180°F max. during temporary high-temperature system flush

A.D.A.



ASME A112.18.2/CSA B125.2

Specifications:

Cast brass chrome plated offset wheelchair strainer with polished chrome cast brass elbow, 17GA 1-1/4" seamless brass offset tailpiece, rubber basin washer and fiber friction washer. Offset lavatory strainer shall be in compliance with CSA or other recognized testing authority and bear both manufacturer and testing mark.



WARNING:

This product can expose you to chemicals including lead, which is known to the State of California to cause cancer, and birth defects or other reproductive harm. For more information go to www.P65Warnings.ca.gov.



McGuire Manufacturing Co., Inc.

60 Grandview Court
Cheshire, Connecticut 06410
(203) 699-1801 Fax (203) 699-1813
customerservice@mcguiremfg.com mcguiremfg.com

PRODUCT SPECIFICATION

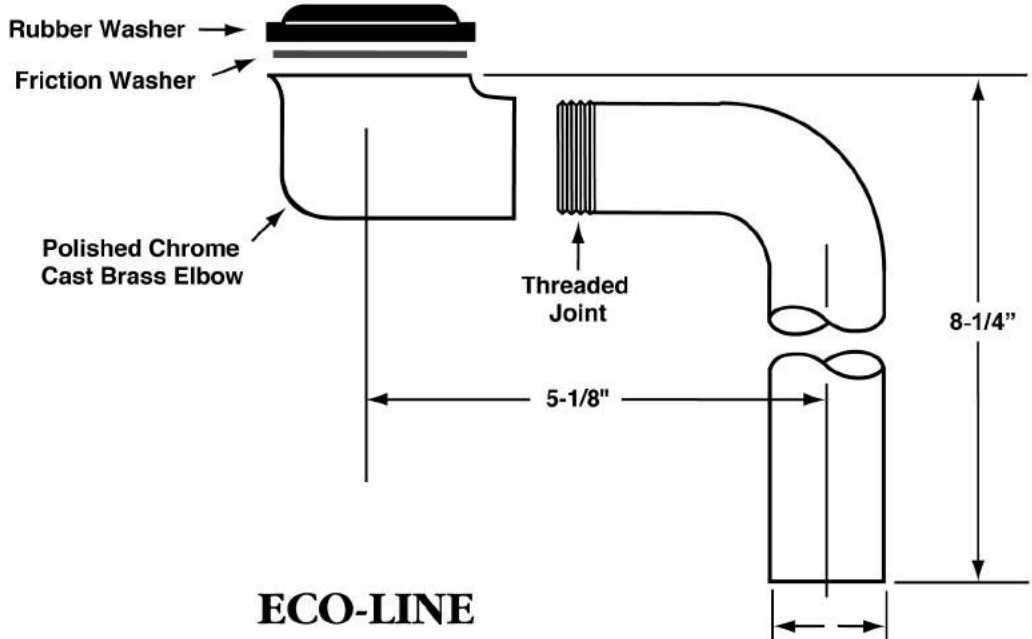
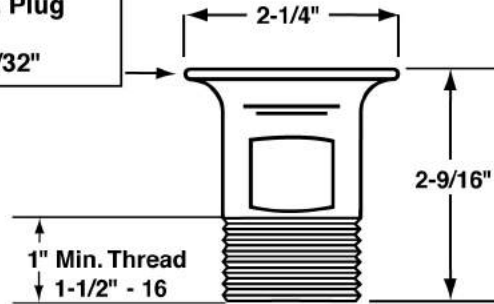
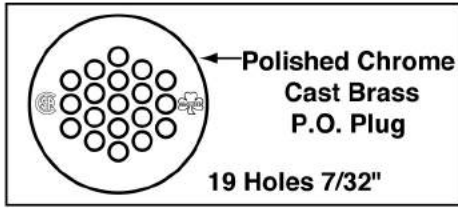
Part No.

155WCECO

**Offset Lavatory
Grid Strainer**

Job Name:

Submittal Number:



1-1/4" O.D.
17 Gauge Tailpiece

- Rated Operating Pressure: 20-125 PSI
- Rated Operating Temperature: 40-140°F
- Note: 180°F max. during temporary high-temperature system flush



ASME A112.18.2/CSA B125.2

Specifications:

Cast Brass Chrome Plated Offset Wheelchair Strainer with polished chrome cast brass elbow, 17 gauge 1-1/4 inch seamless brass offset tailpiece, heavy rubber basin washer and fiber friction washer. Offset lavatory strainer shall be in compliance with CSA or other recognized testing authority and bear both manufacturer and testing mark.



WARNING:

This product can expose you to chemicals including lead, which is known to the State of California to cause cancer, and birth defects or other reproductive harm. For more information go to www.P65Warnings.ca.gov.



McGuire Manufacturing Co., Inc.

60 Grandview Court
 Cheshire, Connecticut 06410
 (203) 699-1801 Fax (203) 699-1813
 customerservice@mcguiremfg.com mcguiremfg.com

PRODUCT SPECIFICATION

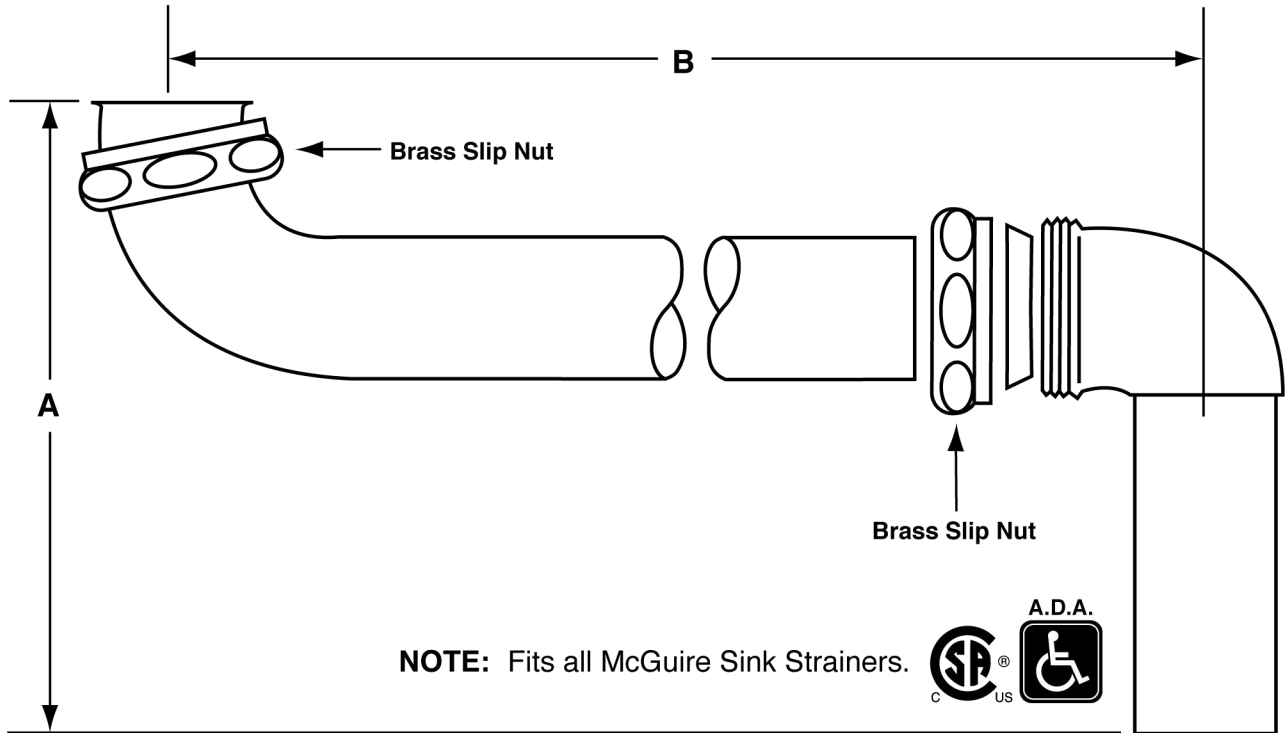
Part No.

1000WC Strainer Series

**Offset Sink Strainer
 ADA Compliant**

Job Name:

Submittal Number:



NOTE: Fits all McGuire Sink Strainers.



Model No.	INC Strainer No.	Description	Roughing Measurements	
			A	B
1000WC	N/A	OFFSET FOR SINK STRAINER ADJ. TO 11 IN CHROME PLATED 17 GA	7 IN	12-3/4 IN
1151WC	151	OFFSET WITH 151 BRASS BASKET STRAINER CHROME PLATED, BRASS NUTS	7 IN	12-3/4 IN
1151AWC	151A	OFFSET WITH 151A STAINLESS BASKET STRAINER	7 IN	12-3/4 IN
1149WC	149	OFFSET WITH 149 BRASS FLAT GRID STRAINER	7 IN	12-3/4 IN
1152WC	152	OFFSET WITH 152 STRAINER, SINK WIDE TOP	7 IN	12-3/4 IN
1153WC	153	OFFSET WITH 153 BAR SINK STRAINER	7 IN	12-3/4 IN
1151ANWC	151AN	OFFSET WITH 151A STAINLESS BASKET STRAINER CHROME PLATED, BRASS NUTS	7 IN	12-3/4 IN
1152NWC	152N	OFFSET WITH 152 STRAINER, SINK WIDE TOP CHROME PLATED, BRASS NUTS	7 IN	12-3/4 IN
1151CNWCSS316	151CNSS316	OFFSET WITH SS 316 CONICAL BASKET STRAINER CHROME PLATED, BRASS NUTS	7 IN	12-3/4 IN
1152NWCSS	152NSS	OFFSET WITH SS 304, STRAINER, SINK, WIDE TOP, CHROME PLATED, BRASS NUTS	7 IN	12-3/4 IN
1152NVWCSS316	152NVSS316	OFFSET WITH SS 316, STRAINER, VANDAL SCEWS CHROME PLATED, BRASS NUTS	7 IN	12-3/4 IN

Specifications:

Adjustable Offset Sink Strainer furnished with 17 gauge seamless brass wastearm, 17 gauge seamless brass tailpiece, cast brass slip nuts and heavy cast elbow. Sink strainer shall be in compliance with CSA or other recognized testing authority and bear both manufacturer and testing mark.



McGuire Manufacturing Co., Inc.

60 Grandview Court
Cheshire, Connecticut 06410
(203) 699-1801 Fax (203) 699-1813
customerservice@mcguiremfg.com mcguiremfg.com

PRODUCT SPECIFICATION

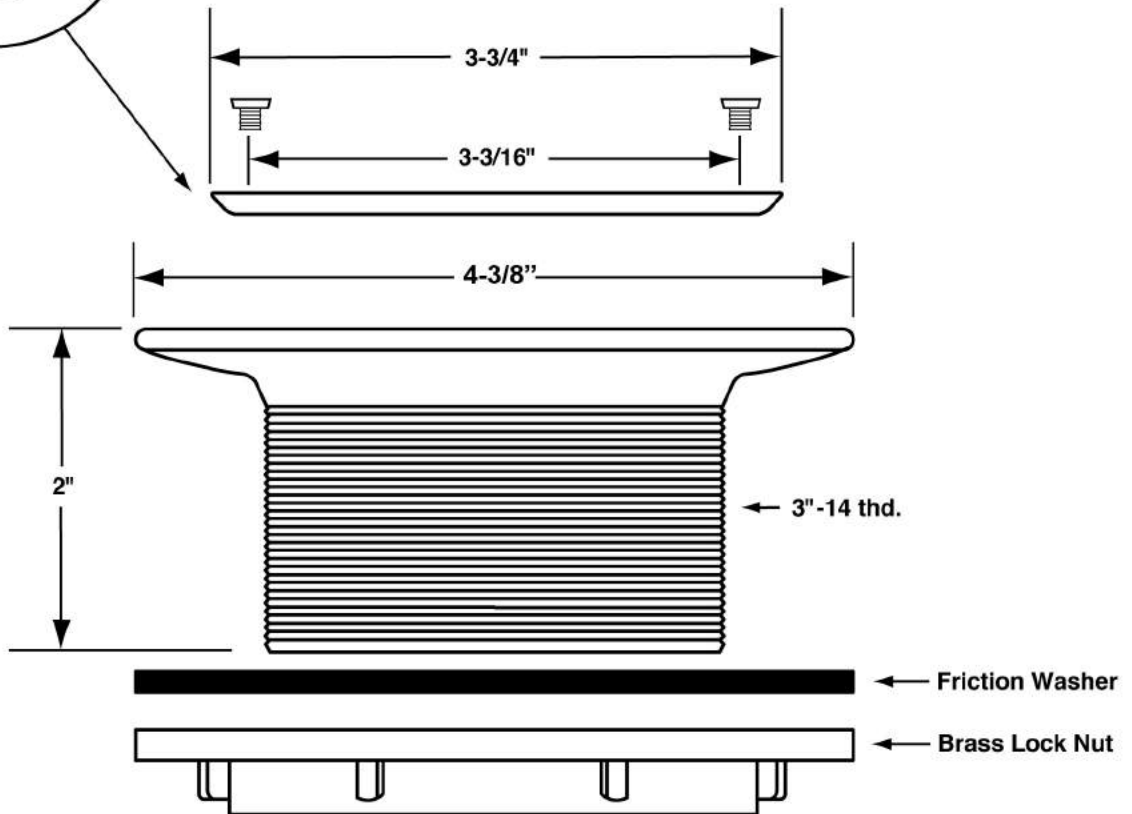
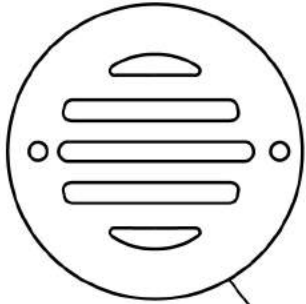
Part No.

1233

Flat Grid Urinal Strainer
for 2 inch Caulk

Job Name:

Submittal Number:



Please Note: Add suffix "V" to Part Number for vandal resistant screws.

Specifications:

Heavy Cast Brass Flat Grid Strainer for 2" lead caulk, iron or soil pipe with cast brass lock nut.
Available with vandal resistant screws.



WARNING:

This product can expose you to chemicals including lead, which is known to the State of California to cause cancer, and birth defects or other reproductive harm. For more information go to www.P65Warnings.ca.gov.



McGuire Manufacturing Co., Inc.

60 Grandview Court
Cheshire, Connecticut 06410
(203) 699-1801 Fax (203) 699-1813
customerservice@mcguiremfg.com mcguiremfg.com

PRODUCT SPECIFICATION

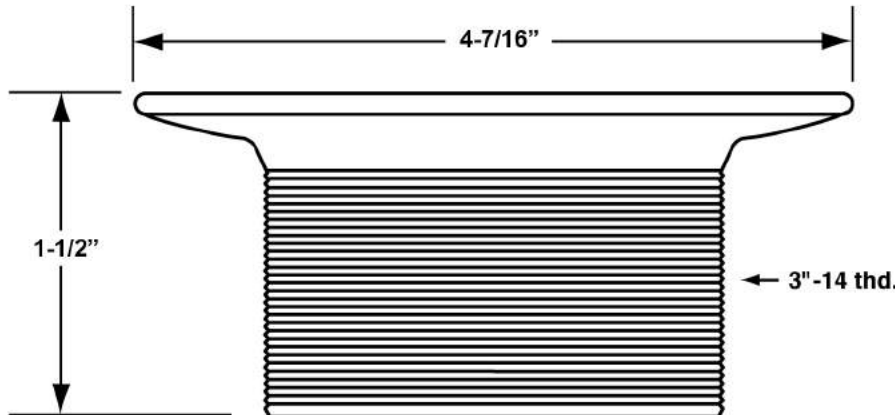
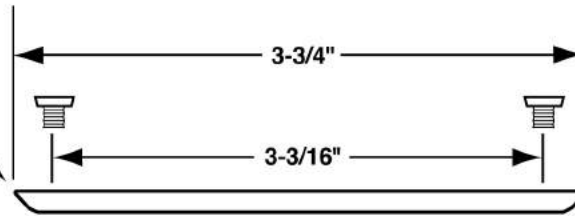
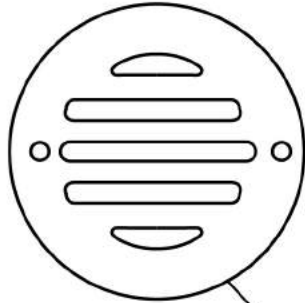
Part No.

1233A2

FIPS Flat Grid Urinal Strainer

Job Name:

Submittal Number:



Please Note: Add suffix "V" to Part Number for vandal resistant screws.

Specifications:

Heavy cast brass chrome plated flat grid strainer with cast brass adapter for female IPS connection.

1233A2 is 2" FIPS



WARNING:

This product can expose you to chemicals including lead, which is known to the State of California to cause cancer, and birth defects or other reproductive harm. For more information go to www.P65Warnings.ca.gov.



McGuire Manufacturing Co., Inc.

60 Grandview Court
Cheshire, Connecticut 06410
(203) 699-1801 Fax (203) 699-1813
customerservice@mcguiremfg.com mcguiremfg.com

PRODUCT SPECIFICATION

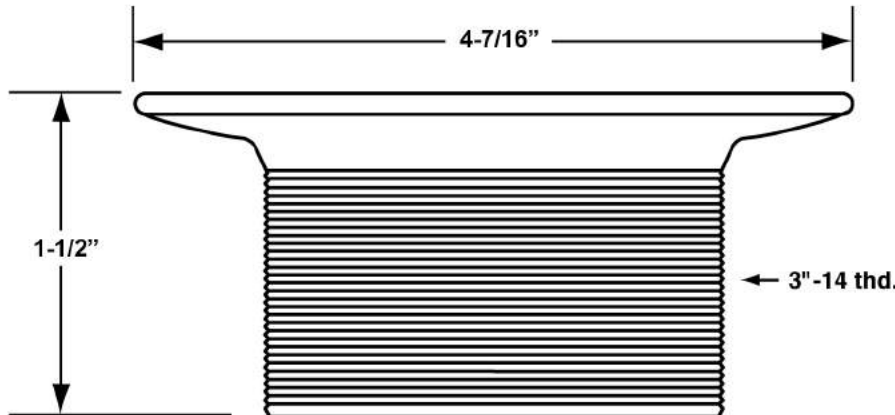
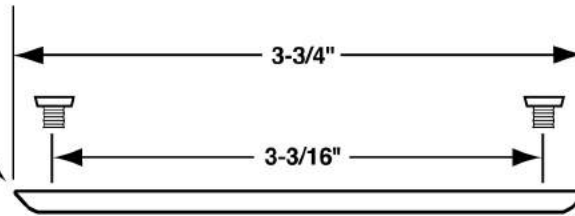
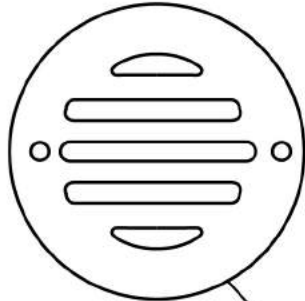
Part No.

1233A3

FIPS Flat Grid Urinal Strainer

Job Name:

Submittal Number:



Please Note: Add suffix "V" to Part Number for vandal resistant screws.

Specifications:

Heavy cast brass chrome plated flat grid strainer with cast brass adapter for female IPS connection.

1233A3 is 3" FIPS.



WARNING:

This product can expose you to chemicals including lead, which is known to the State of California to cause cancer, and birth defects or other reproductive harm. For more information go to www.P65Warnings.ca.gov.



McGuire Manufacturing Co., Inc.

60 Grandview Court
Cheshire, Connecticut 06410
(203) 699-1801 Fax (203) 699-1813
customerservice@mcguiremfg.com mcguiremfg.com

PRODUCT SPECIFICATION

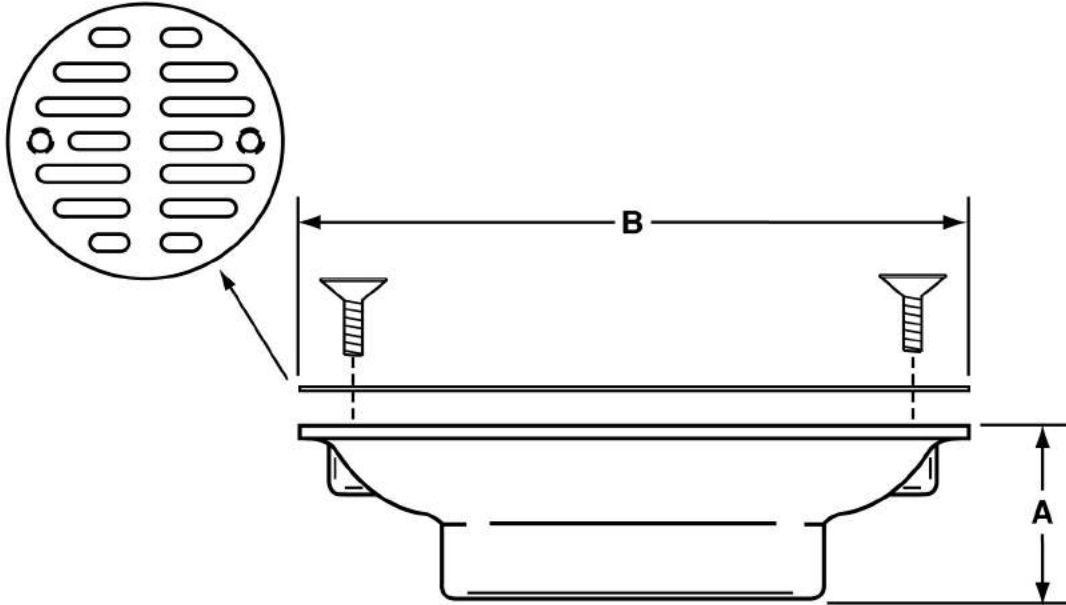
Part No.

1266

Shower Stall Strainer

Job Name:

Submittal Number:



MODEL NO.	DESCRIPTION	A	B
1266	1-1/2" FIP Strainer	1"	3-1/2"

Please Note: Add suffix "V" to Part Number for vandal resistant screws.

Specifications:

Heavy cast brass body shower stall strainer with stainless steel grid. Available with vandal resistant screws.



WARNING:

This product can expose you to chemicals including lead, which is known to the State of California to cause cancer, and birth defects or other reproductive harm. For more information go to www.P65Warnings.ca.gov.



McGuire Manufacturing Co., Inc.

60 Grandview Court

Cheshire, Connecticut 06410

(203) 699-1801 Fax (203) 699-1813

customerservice@mcguiremfg.com mcguiremfg.com

PRODUCT SPECIFICATION

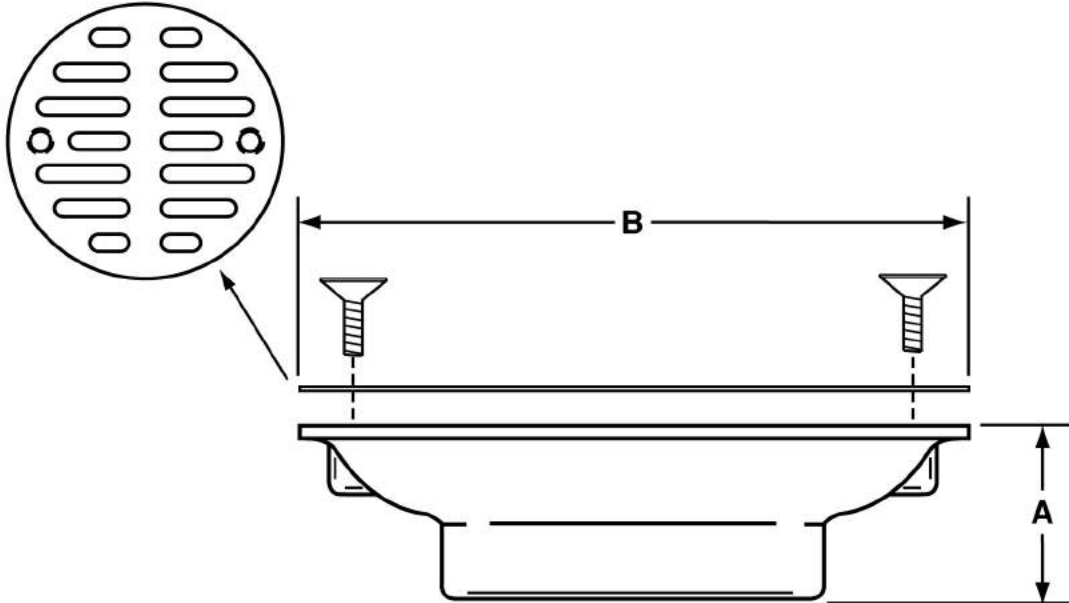
Part No.

1266A

Shower Stall Strainer

Job Name:

Submittal Number:



MODEL NO.	DESCRIPTION	A	B
1266A	2" FIP Strainer	1"	3-1/2"

Please Note: Add suffix "V" to Part Number for vandal resistant screws.

Specifications:

Heavy cast brass body shower stall strainer with stainless steel grid. Available with vandal resistant screws.



WARNING:

This product can expose you to chemicals including lead, which is known to the State of California to cause cancer, and birth defects or other reproductive harm. For more information go to www.P65Warnings.ca.gov.



McGuire Manufacturing Co., Inc.

60 Grandview Court
Cheshire, Connecticut 06410
(203) 699-1801 Fax (203) 699-1813
customerservice@mcguiremfg.com mcguiremfg.com

PRODUCT SPECIFICATION

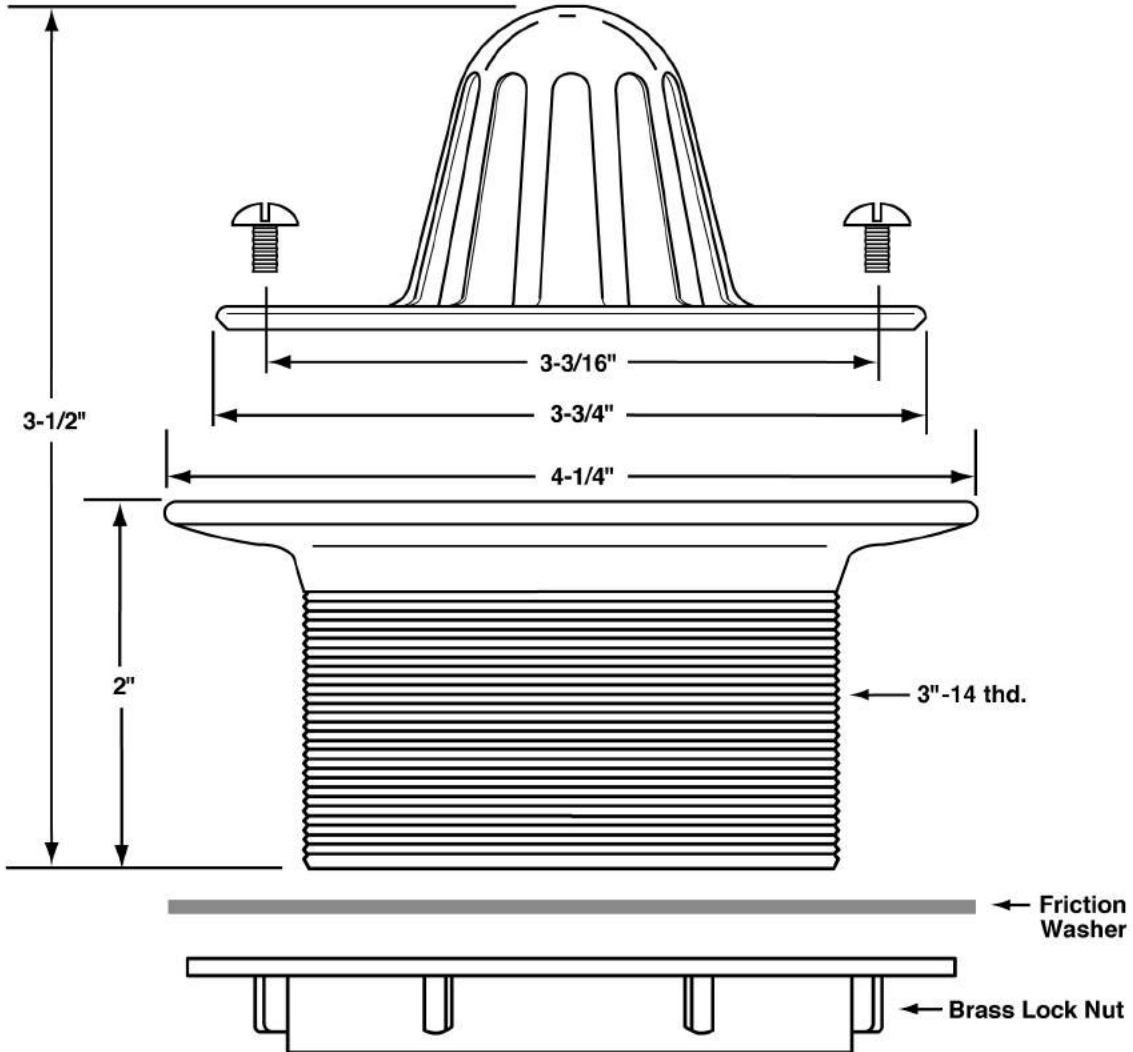
Part No.

1303

Beehive
Urinal Strainer

Job Name:

Submittal Number:



Please Note: Add suffix "V" to Part Number for vandal resistant screws.

See options and accessories section for details on product variations.

Specifications:

Heavy Cast Brass Beehive Urinal Strainer for 2" lead caulk, iron or soil pipe with cast brass lock nut. Available with vandal resistant screws.



WARNING:

This product can expose you to chemicals including lead, which is known to the State of California to cause cancer, and birth defects or other reproductive harm. For more information go to www.P65Warnings.ca.gov.



McGuire Manufacturing Co., Inc.

60 Grandview Court
Cheshire, Connecticut 06410
(203) 699-1801 Fax (203) 699-1813
customerservice@mcguiremfg.com mcguiremfg.com

PRODUCT SPECIFICATION

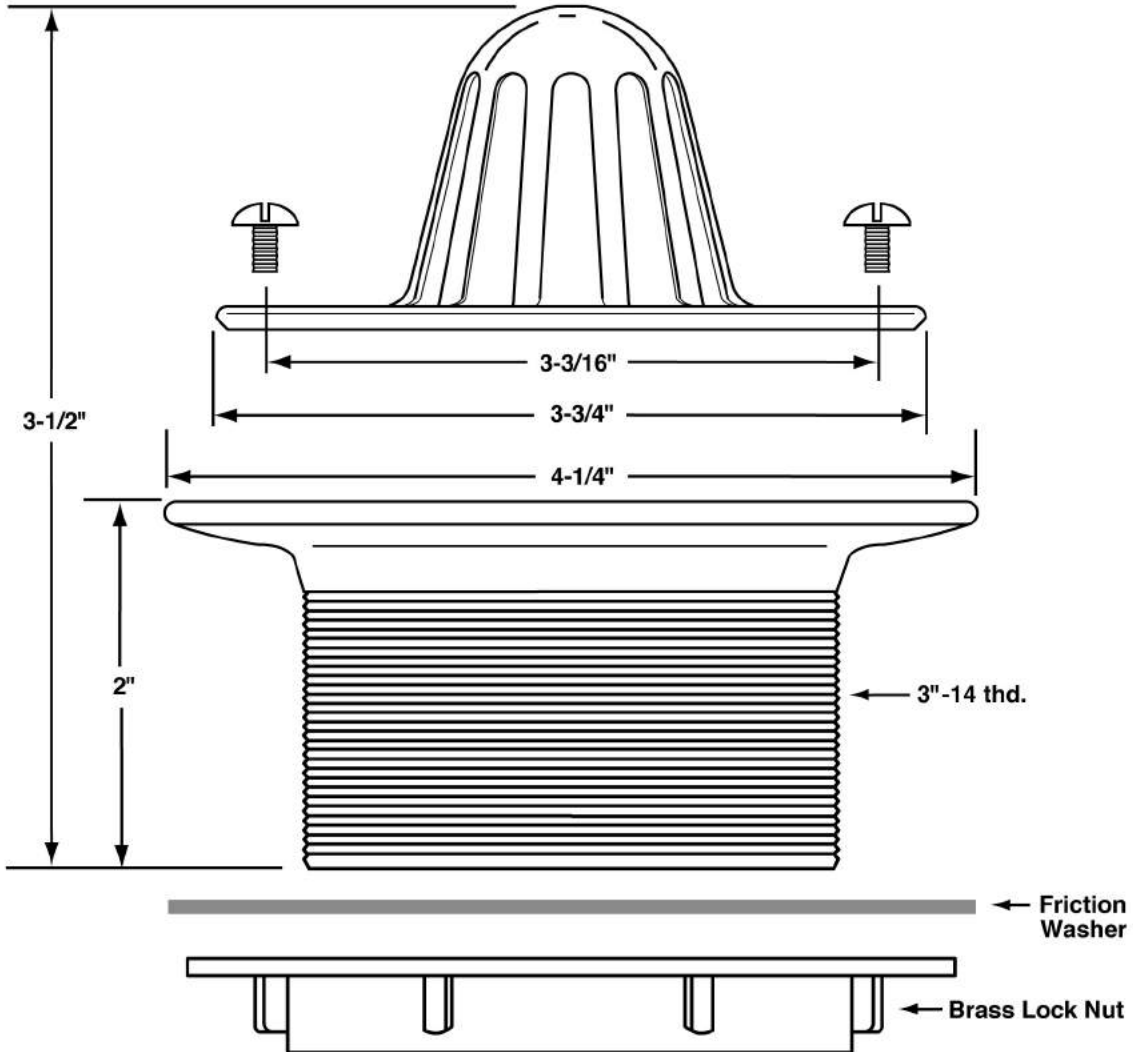
Part No.

1303A2

**Beehive Urinal Strainer
with 2" or 3" IPA**

Job Name:

Submittal Number:



Please Note: Add suffix "V" to Part Number for vandal resistant screws.

See options and accessories section for details on product variations.

Specifications:

Heavy cast brass beehive urinal strainer for 2" lead caulk, iron or soil pipe with cast brass lock nut. 2" or 3" IPA (iron pipe adapter). Available with vandal resistant screws.



WARNING:

This product can expose you to chemicals including lead, which is known to the State of California to cause cancer, and birth defects or other reproductive harm. For more information go to www.P65Warnings.ca.gov.



McGuire Manufacturing Co., Inc.

60 Grandview Court
Cheshire, Connecticut 06410
(203) 699-1801 Fax (203) 699-1813
customerservice@mcguiremfg.com mcguiremfg.com

PRODUCT SPECIFICATION

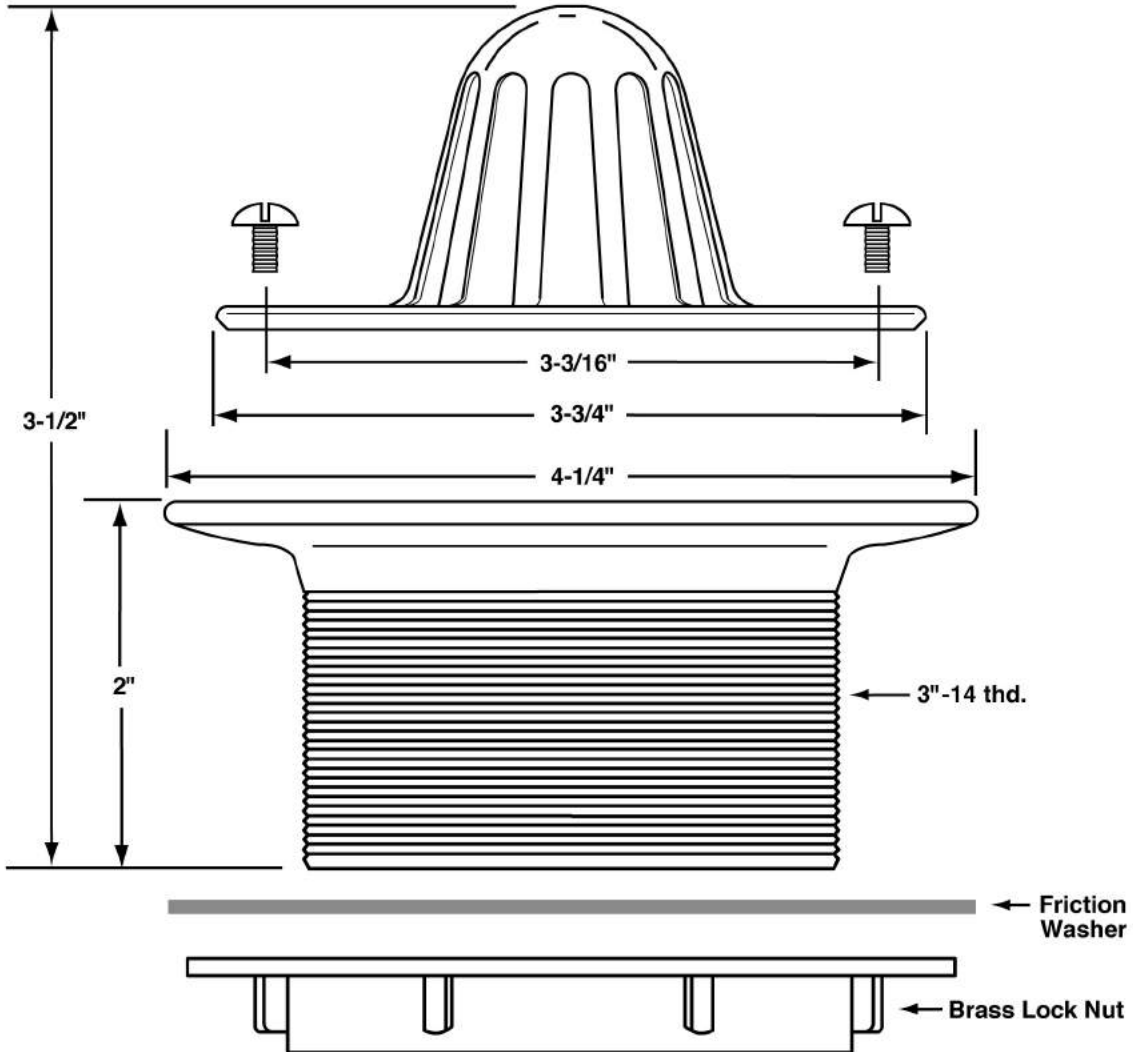
Part No.

1303A3

**Beehive Urinal Strainer
with 2" or 3" IPA**

Job Name:

Submittal Number:



Please Note: Add suffix "V" to Part Number for vandal resistant screws.

See options and accessories section for details on product variations.

Specifications:

Heavy cast brass beehive urinal strainer for 2" lead caulk, iron or soil pipe with cast brass lock nut. 2" or 3" IPA (iron pipe adapter). Available with vandal resistant screws.



WARNING:

This product can expose you to chemicals including lead, which is known to the State of California to cause cancer, and birth defects or other reproductive harm. For more information go to www.P65Warnings.ca.gov.



McGuire Manufacturing Co., Inc.

60 Grandview Court
Cheshire, Connecticut 06410
(203) 699-1801 Fax (203) 699-1813
customerservice@mcguiremfg.com mcguiremfg.com

PRODUCT SPECIFICATION

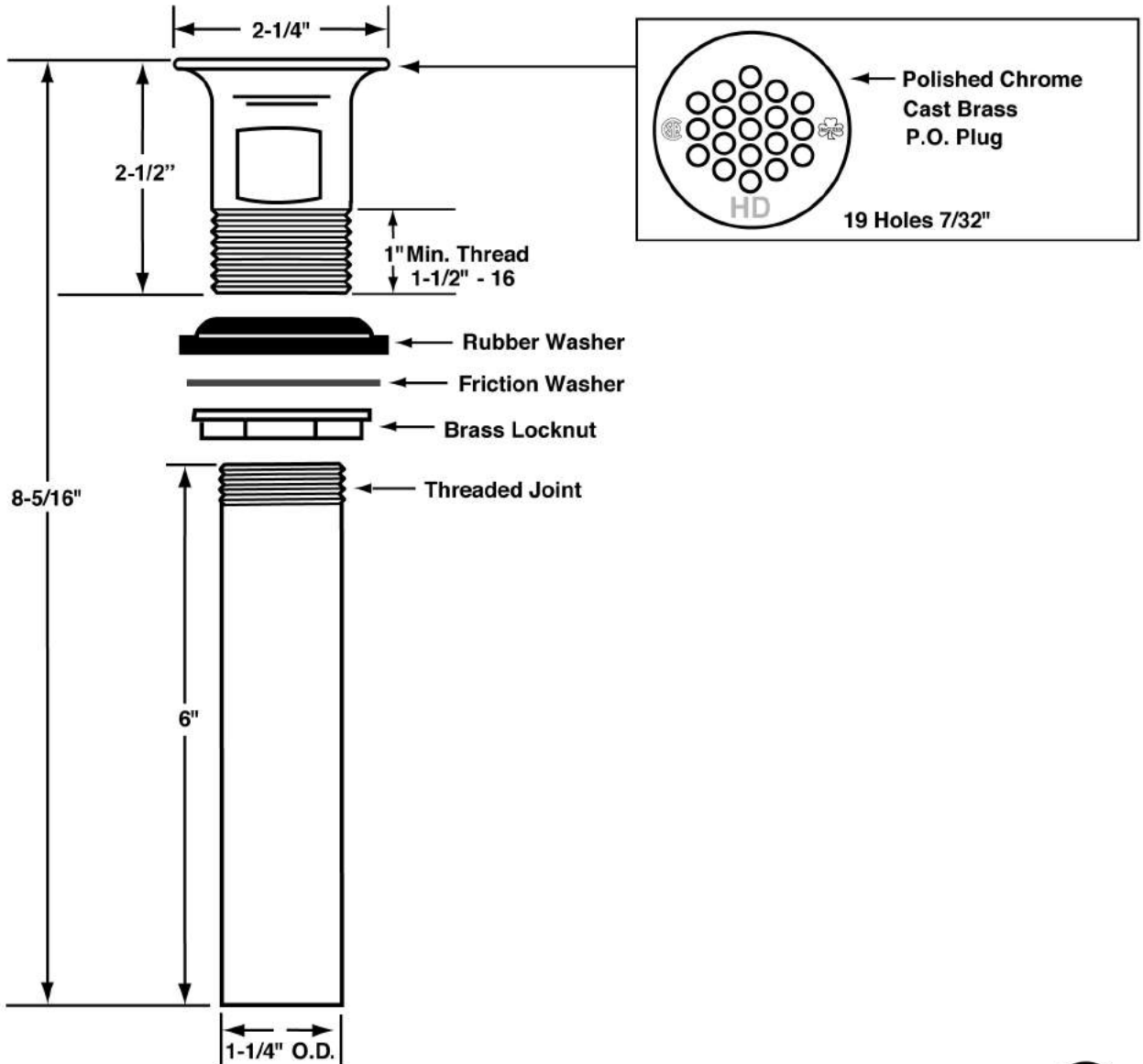
Part No.

HD155A

Open Grid P.O Plug
Heavy Duty Finish

Job Name:

Submittal Number:



- Rated Operating Pressure: 20-125 PSI
- Rated Operating Temperature: 40-140°F
- Note: 180°F max. during temporary high-temperature system flush



ASME A112.18.2/CSA B125.2

Specifications:

Cast brass heavy duty finish chrome plated open grid P.O. plug with 17GA 1-1/4" x 6" seamless brass tailpiece, brass lock nut, heavy rubber basin washer and fiber friction washer. P.O. plug shall be in compliance with CSA or other recognized testing authority and bear both manufacturer and testing mark.



WARNING:

This product can expose you to chemicals including lead, which is known to the State of California to cause cancer, and birth defects or other reproductive harm. For more information go to www.P65Warnings.ca.gov.



McGuire Manufacturing Co., Inc.

60 Grandview Court
Cheshire, Connecticut 06410
(203) 699-1801 Fax (203) 699-1813
customerservice@mcguiremfg.com mcguiremfg.com

PRODUCT SPECIFICATION

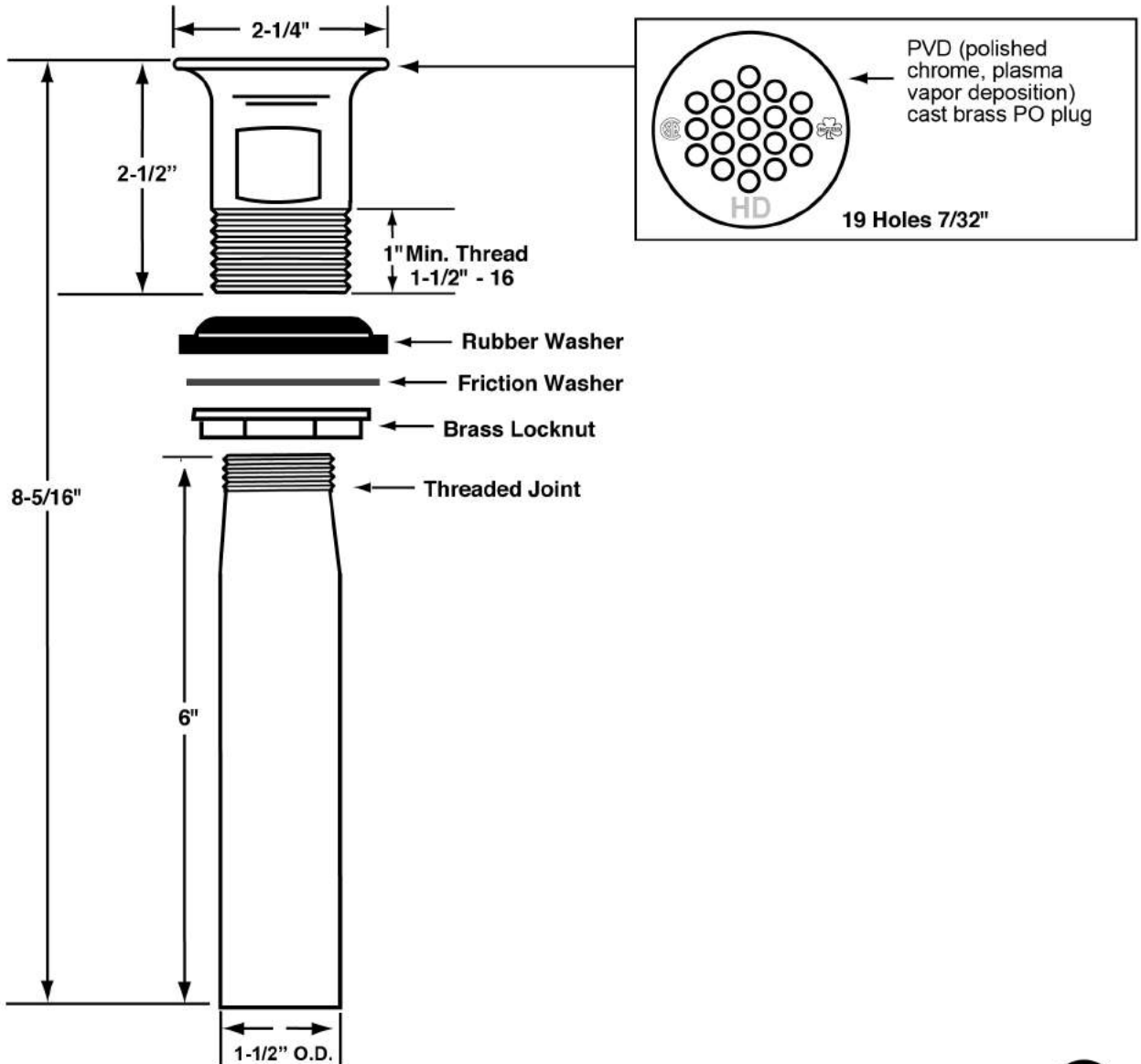
Part No.

HD155A2

**Open Grid P.O. Plug
Heavy Duty Finish**

Job Name:

Submittal Number:



- Rated Operating Pressure: 20-125 PSI
- Rated Operating Temperature: 40-140°F
- Note: 180°F max. during temporary high-temperature system flush



ASME A112.18.2/CSA B125.2

Specifications:

Cast brass heavy duty finish chrome plated open grid P.O. plug with 17GA 1-1/2" x 6" seamless brass tailpiece, brass lock nut, heavy rubber basin washer and fiber friction washer. P.O. plug shall be in compliance with CSA or other recognized testing authority and bear both manufacturer and testing mark.



WARNING:

This product can expose you to chemicals including lead, which is known to the State of California to cause cancer, and birth defects or other reproductive harm. For more information go to www.P65Warnings.ca.gov.



McGuire Manufacturing Co., Inc.

60 Grandview Court
Cheshire, Connecticut 06410
(203) 699-1801 Fax (203) 699-1813
customerservice@mcguiremfg.com mcguiremfg.com

PRODUCT SPECIFICATION

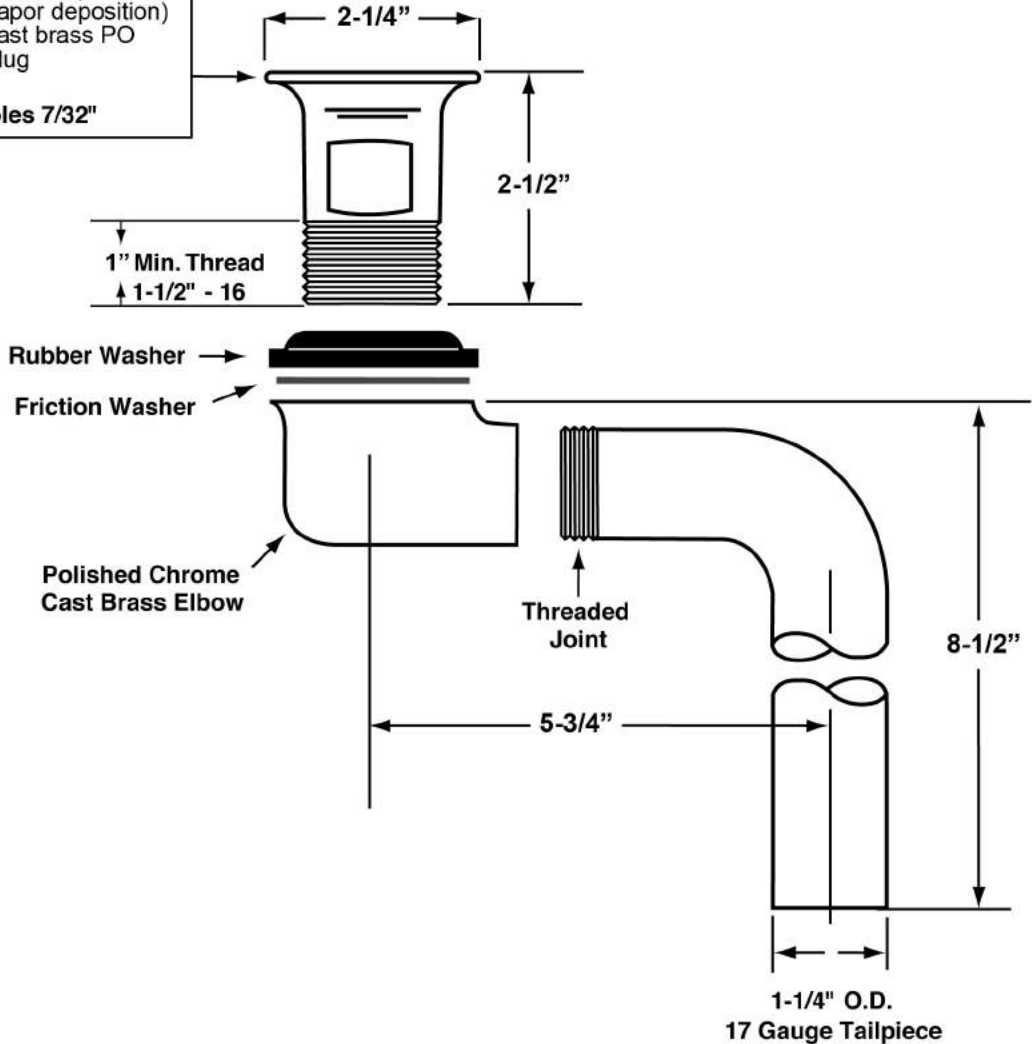
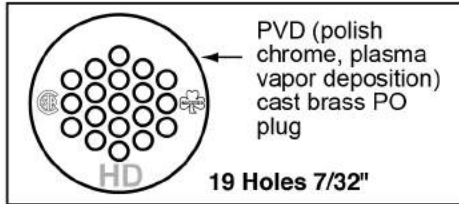
Part No.

HD155WC

**Offset Lavatory Grid Strainer
Heavy Duty Finish**

Job Name:

Submittal Number:



A.D.A.



ASME A112.18.2/CSA B125.2

Specifications:

Cast Brass Heavy Duty Finish Chrome Plated Offset Wheelchair Strainer with polished chrome cast brass elbow, 17 gauge 1-1/4 inch seamless brass offset tailpiece, heavy rubber basin washer and fiber friction washer. Offset lavatory strainer shall be in compliance with CSA or other recognized testing authority and bear both manufacturer and testing mark.



WARNING:

This product can expose you to chemicals including lead, which is known to the State of California to cause cancer, and birth defects or other reproductive harm. For more information go to www.P65Warnings.ca.gov.



McGuire Manufacturing Co., Inc.

60 Grandview Court
Cheshire, Connecticut 06410
(203) 699-1801 Fax (203) 699-1813
customerservice@mcguiremfg.com mcguiremfg.com

PRODUCT SPECIFICATION

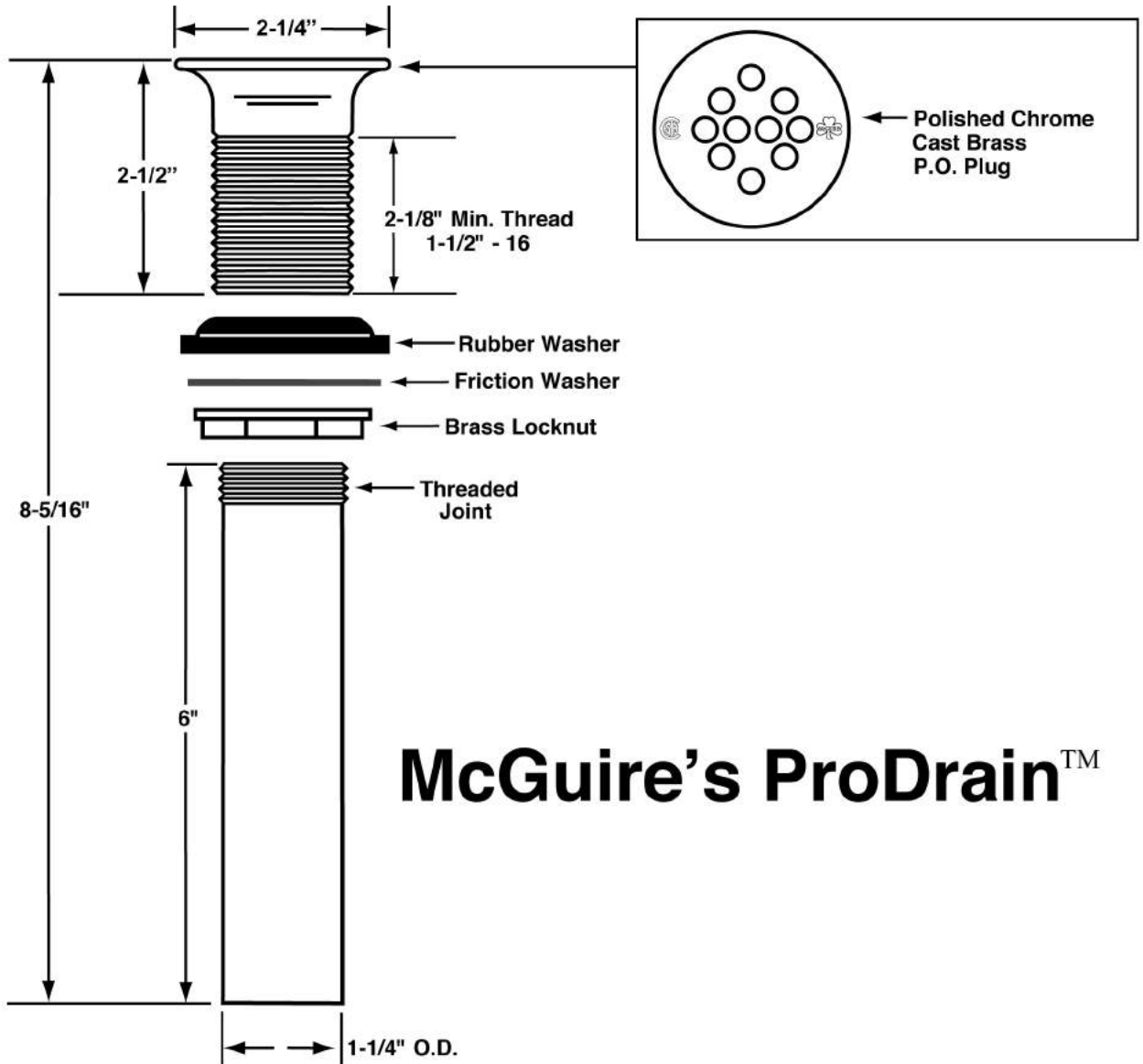
Part No.

ProDrain

**Grid Drain
less overflow**

Job Name:

Submittal Number:



McGuire's ProDrain™

- Rated Operating Pressure: 20-125 PSI
- Rated Operating Temperature: 40-140°F
- Note: 180°F max. during temporary high-temperature system flush



ASME A112.18.2/CSA B125.2

Specifications:

Cast Brass Chrome Plated Grid Drain less overflow with 17 gauge 1-1/4" x 6" seamless brass tailpiece, brass lock nut, heavy rubber basin washer and fiber friction washer. Drain shall be in compliance with CSA or other recognized testing authority and bear both manufacturer and testing mark.



WARNING:

This product can expose you to chemicals including lead, which is known to the State of California to cause cancer, and birth defects or other reproductive harm. For more information go to www.P65Warnings.ca.gov.



McGuire Manufacturing Co., Inc.

60 Grandview Court
Cheshire, Connecticut 06410
(203) 699-1801 Fax (203) 699-1813
customerservice@mcguiremfg.com mcguiremfg.com

PRODUCT SPECIFICATION

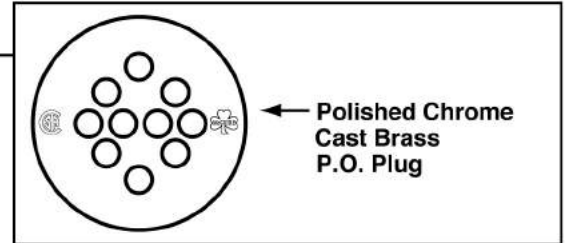
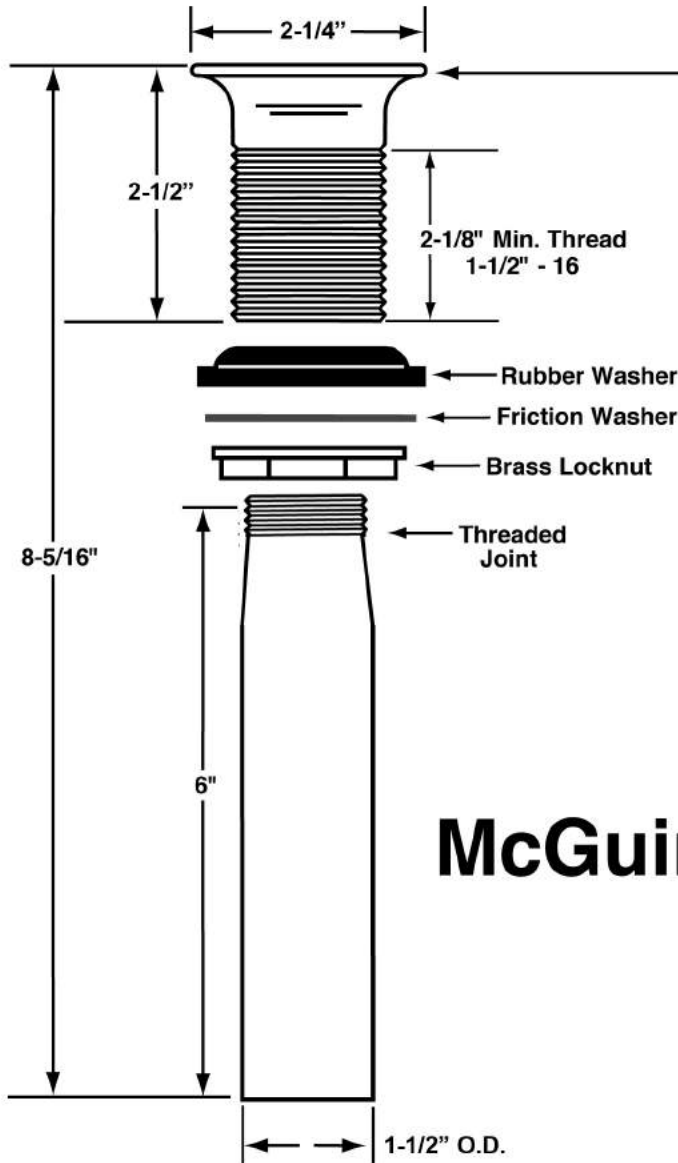
Part No.

ProDrain2

**Grid Drain
less overflow**

Job Name:

Submittal Number:



Polished Chrome
Cast Brass
P.O. Plug

McGuire's ProDrain

- Rated Operating Pressure: 20-125 PSI
- Rated Operating Temperature: 40-140°F
- Note: 180°F max. during temporary high-temperature system flush



ASME A112.18.2/CSA B125.2

Specifications:

Cast brass chrome plated grid drain less overflow with 17GA 1-1/2" x 6" seamless brass tailpiece, brass lock nut, heavy rubber basin washer and fiber friction washer. Drain shall be in compliance with CSA or other recognized testing authority and bear both manufacturer and testing mark.



WARNING:

This product can expose you to chemicals including lead, which is known to the State of California to cause cancer, and birth defects or other reproductive harm. For more information go to www.P65Warnings.ca.gov.



McGuire Manufacturing Co., Inc.

60 Grandview Court
Cheshire, Connecticut 06410
(203) 699-1801 Fax (203) 699-1813
customerservice@mcguiremfg.com mcguiremfg.com

PRODUCT SPECIFICATION

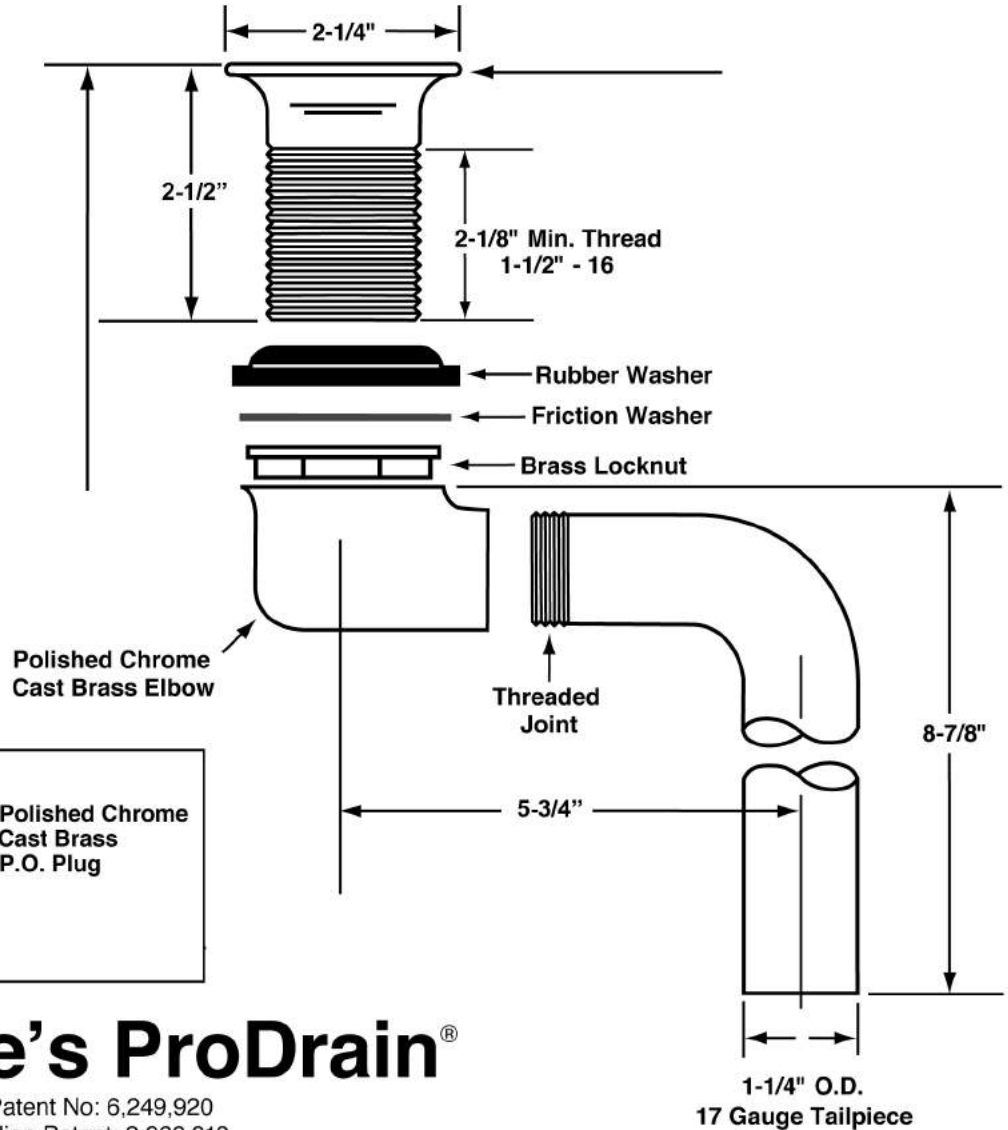
Part No.

ProDrainWC

**Offset Lavatory Grid
Strainer less Overflow**

Job Name:

Submittal Number:



McGuire's ProDrain®

U.S. Patent No: 6,249,920
Canadian Patent: 2,266,812

- Rated Operating Pressure: 20-125 PSI
- Rated Operating Temperature: 40-140°F
- Note: 180°F max. during temporary high-temperature system flush

A.D.A.



ASME A112.18.2/CSA B125.2

Specifications:

Cast Brass Chrome Plated Offset Wheelchair Strainer less overflow with polished chrome cast brass elbow, 17 gauge 1-1/4 inch seamless brass offset tailpiece, heavy rubber basin washer and fiber friction washer. Offset lavatory strainer shall be in compliance with CSA or other recognized testing authority and bear both manufacturer and testing mark.



WARNING:

This product can expose you to chemicals including lead, which is known to the State of California to cause cancer, and birth defects or other reproductive harm. For more information go to www.P65Warnings.ca.gov.